

MPH series

Maximum working pressure up to 1 MPa (10 bar) - Flow rate up to 3500 l/min



Return filter

Maximum working pressure up to 1 MPa (10 bar)

Flow rate up to 3500 l/min

MPH is a range of return filters for protection of the reservoir against the system contamination.

They are directly fixed to the reservoir, in immersed or semi-immersed position.

The use of the diffuser is recommended, to place the filter output always immersed into the fluid to avoid aeration or foam generation into the reservoir.

The filtration from inside to outside allows a cleaner filter element replacement, the dirty remains into the filter element.

Available features:

- Female threaded connections up to 1 1/2" and flanged connections up to 4", for a maximum flow rate of 3500 l/min
- Multiple connections, to connect several return lines or drains
- Fine filtration rating, to get a good cleanliness level into the reservoir
- Bypass valve, to relieve excessive pressure drop across the filter media
- Magnetic filter, to hold the ferrous particles
- 2, 3, 4 or 8 fixing holes for installation, to suit a variety of reservoir surfaces
- Flat Seal to suit a variety of reservoir surfaces
- Oil dipstick, to easily check the level of the fluid into the reservoir (separate item)
- Diffuser, to reduce the risk of aeration, foaming and noise
- Filler plug, to fill cleaned fluid into the tank without an additional plug
- Integrated breather filter, to clean the air that moves into the reservoir as result of the oil level fluctuation (MPH110/114)
- Integrated breather filter with pressurization valve, to clean the air that moves into the reservoir as result of the oil level fluctuation and to guarantee the pressurization into the reservoir (MPH110/114)
- Visual, electrical and electronic clogging indicators

Common applications:

Heavy duty industrial equipment

Filter housing materials

- Head
 - Aluminium: MPH 110-114-116-120-250
 - Anodized Aluminium: MPH 630-850
 - Painted Aluminium: MPH 660

- Cover
 - Polyamide: MPH 110-114-116-120
 - Aluminium: MPH 250
 - Anodized Aluminium: MPH 630
 - Painted Aluminium: MPH 660
 - Steel: MPH 850

- Insert assembly
 - Polyamide: MPH 110-114-116-120
 - Aluminium: MPH 250-630-660-850

- Diffuser: Stainless Steel

- Valve: Phosphatized Steel

Bypass valve

- Opening pressure 175 kPa (1.75 bar)±10%
- Opening pressure 250 kPa (2.5 bar) ±10%, except for MPH 850

Δp element type

- Microfibre filter elements - series MR: 10 bar
- Fluid flow through the filter element from IN to OUT

Seals

- Standard NBR series A
- Optional FPM series V

Temperature

From -25 °C to +110 °C

Note

MPH filters are provided for vertical mounting

Weights [kg] and volumes [dm³]

Filter series	Weights [kg]					Volumes [dm ³]						
	Length	1	2	3	4	5	Length	1	2	3	4	5
MPH 110	1.60	1.70	1.80	2.20	2.60		1.60	1.70	1.80	2.20	2.60	
MPH 114	1.60	1.70	1.80	2.20	2.60		1.60	1.70	1.80	2.20	2.60	
MPH 116	1.60	1.70	1.80	2.20	2.60		1.60	1.70	1.80	2.20	2.60	
MPH 120	1.60	1.70	1.80	2.20	2.60		1.60	1.70	1.80	2.20	2.60	
MPH 250	3.60	3.90	4.20	5.60	-		4.40	4.40	5.40	8.00	-	
MPH 630	6.50	7.00	7.40	8.50	10.50		7.30	9.00	11.00	13.00	19.20	
MPH 660	-	-	-	11.50	14.00		-	-	-	14.60	21.00	
MPH 850	32.00	35.00	38.00	42.00	-		13.00	16.50	21.00	25.00	-	

Filter series	Length	A03	A06	A10	A16	A25	M25 M60 M90	P10	P25
MPH 110-114 116-120	1	26	29	72	79	107	282	164	190
	2	43	46	112	114	161	318	164	190
	3	64	72	132	156	178	324	219	251
	4	90	99	184	198	216	324	266	302
	5	117	128	201	219	244	324	282	318
MPH 250	1	93	102	210	251	315	1093	339	383
	2	124	151	327	412	421	1122	460	514
	3	189	221	418	445	500	1137	544	616
	4	261	304	592	670	766	1166	832	923
MPH 630	1	160	200	369	423	518	1894	565	632
	2	240	257	571	611	1045	1929	1137	1285
	3	330	374	745	788	1308	1938	1416	1577
	4	374	403	887	1010	1348	1956	1448	1612
	5	625	698	1210	1257	1723	2121	1839	1929
MPH 660	4	370	399	903	1042	1460	2376	1596	1830
	5	624	699	1282	1343	1997	2663	2182	2331
MPH 850	1	775	1041	1246	1568	2242	3311	2371	2625
	2	1176	1522	1682	1747	2449	3378	2684	2886
	3	1490	1914	1995	2014	3035	3405	3144	3220
	4	1668	2088	2305	2363	3169	3517	3272	3378

Maximum flow rate for a complete return filter with a pressure drop $\Delta p = 0.5$ bar.

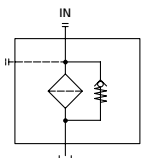
The reference fluid has a kinematic viscosity of 30 mm²/s (cSt) and a density of 0.86 kg/dm³.

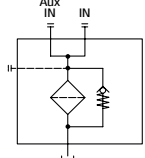
For different pressure drop or fluid viscosity we recommend to use our selection software available on www.mpfiltri.com.

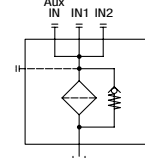
You can also calculate the right size using the formulas present on the FILTER SIZING paragraph at the beginning of the full catalogue or at the beginning of the filter family brochure. Please, contact our Sales Department for further additional information.

Hydraulic symbols

Filter series	Style 1 connection	Style 2 connections	Style 3 connections
MPH 110	-	•	-
MPH 114	•	-	-
MPH 116	•	-	-
MPH 120	-	-	•
MPH 250	•	•	-
MPH 630	•	•	-
MPH 660	•	-	-
MPH 850	-	•	-



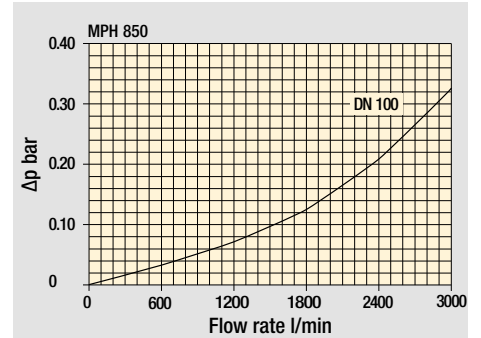
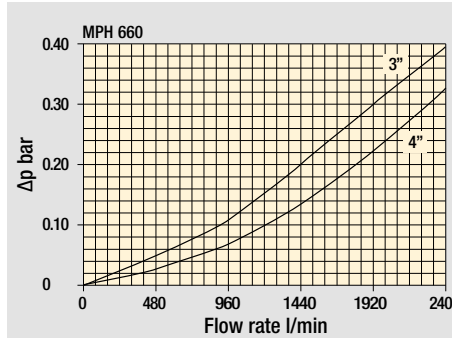
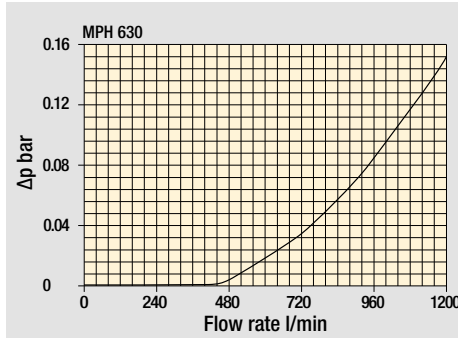
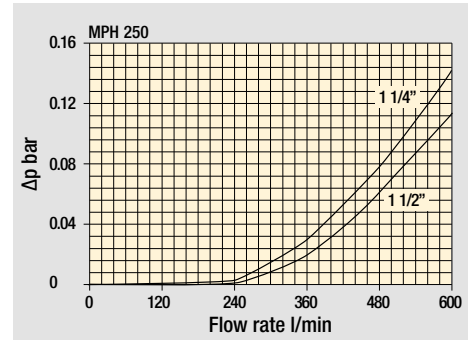
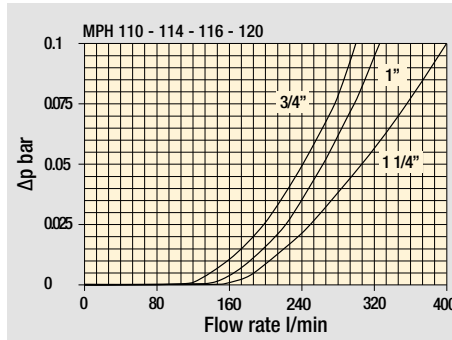




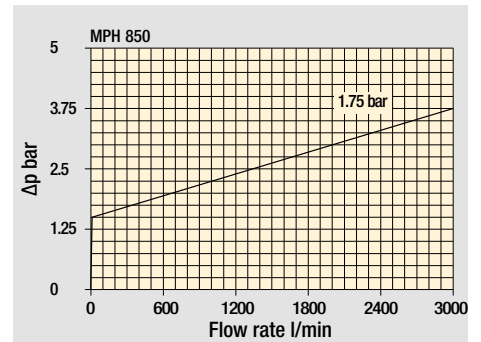
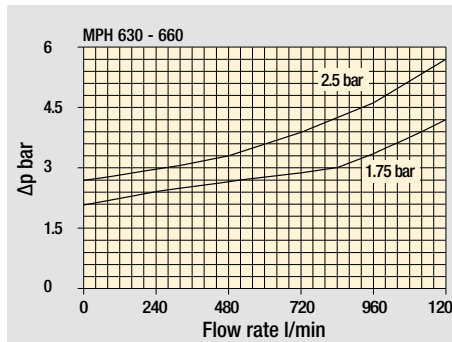
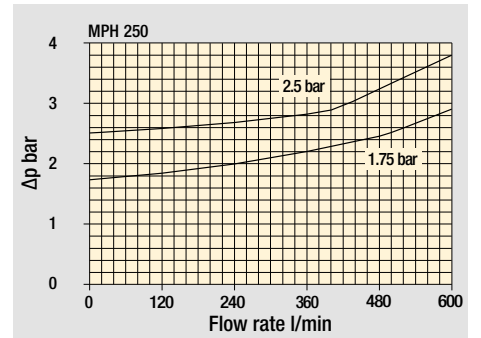
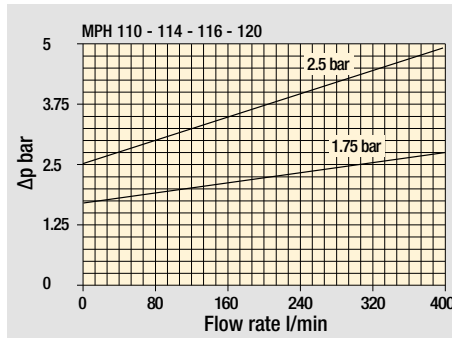
MPH GENERAL INFORMATION

Pressure drop

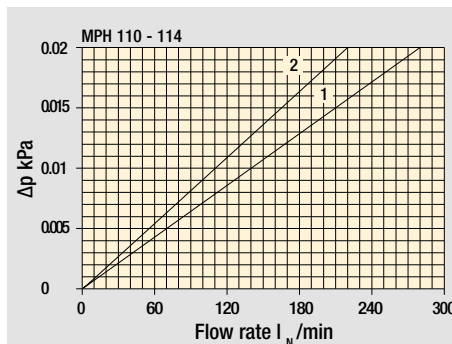
Filter housings Δp pressure drop



Bypass valve pressure drop



Air breather pressure drop



- 1 C With air breather 10 μ m
- 2 D With anti-splash and SAP50 10 μ m

The curves are plotted using mineral oil with density of 0.86 kg/dm³ in compliance with ISO 3968. Δp varies proportionally with density.

Designation & Ordering code

COMPLETE FILTER

Configuration example: **MPH110** | **1** | **S** | **D** | **S** | **A** | **G1** | **1** | **A10** | **P01**

Series and size
MPH110

Length
1 | **2** | **3** | **4** | **5**

Bypass valve
S Without bypass | **C** 1.75 bar | **E** 2.5 bar

Diffuser and magnetic filter
D With diffuser, with magnetic filter
F With diffuser, without magnetic filter
O Without diffuser, with magnetic filter
E Without diffuser, without magnetic filter

Air breather
S Without air breather
C With air breather 10 µm
D With anti-splash and air breather SAP050 10 µm
P With anti-splash and air breather SAP050 10 µm pressurization 0.5 bar

Seals and treatments	Filtration rating		
	Axx	Mxx	Pxx
A NBR	•	•	•
V FPM	•	•	•
W NBR head anodized	•	•	-
Z FPM head anodized	•	•	-

Main Connections	Aux size 1	Aux size 2	Main Connections	Aux size 1	Aux size 2		
G1 G 3/4"	G 3/8"	G 1/2"	G7 SAE 12 - 1 1/16" - 12 UN	SAE 6 - 9/16" - 18 UNF	SAE 8 - 3/4" - 16 UNF		
G2 G 1"			G8 SAE 16 - 1 5/16" - 12 UN				
G3 G 1 1/4"			G9 SAE 20 - 1 5/8" - 12 UN				
G4 3/4" NPT			3/8" NPT	1/2" NPT			
G5 1" NPT							
G6 1 1/4" NPT							

Aux connection - see previous table
0 Not machined | **1** Aux size 1 | **2** Aux size 2

Filtration rating (filter media)

A03 Inorganic microfiber 3 µm	M25 Wire mesh 25 µm
A06 Inorganic microfiber 6 µm	M60 Wire mesh 60 µm
A10 Inorganic microfiber 10 µm	M90 Wire mesh 90 µm
A16 Inorganic microfiber 16 µm	P10 Resin impregnated paper 10 µm
A25 Inorganic microfiber 25 µm	P25 Resin impregnated paper 25 µm

Execution
P01 MP Filtri standard
Pxx Customized

FILTER ELEMENT

Configuration example: **MR100** | **1** | **A10** | **A** | **P01**

Element series and size
MR100

Element length
1 | **2** | **3** | **4** | **5**

Filtration rating (filter media)

A03 Inorganic microfiber 3 µm	M25 Wire mesh 25 µm
A06 Inorganic microfiber 6 µm	M60 Wire mesh 60 µm
A10 Inorganic microfiber 10 µm	M90 Wire mesh 90 µm
A16 Inorganic microfiber 16 µm	P10 Resin impregnated paper 10 µm
A25 Inorganic microfiber 25 µm	P25 Resin impregnated paper 25 µm

Seals
A NBR
V FPM

Execution
P01 MP Filtri standard
Pxx Customized

CLOGGING INDICATORS

See page 710-711

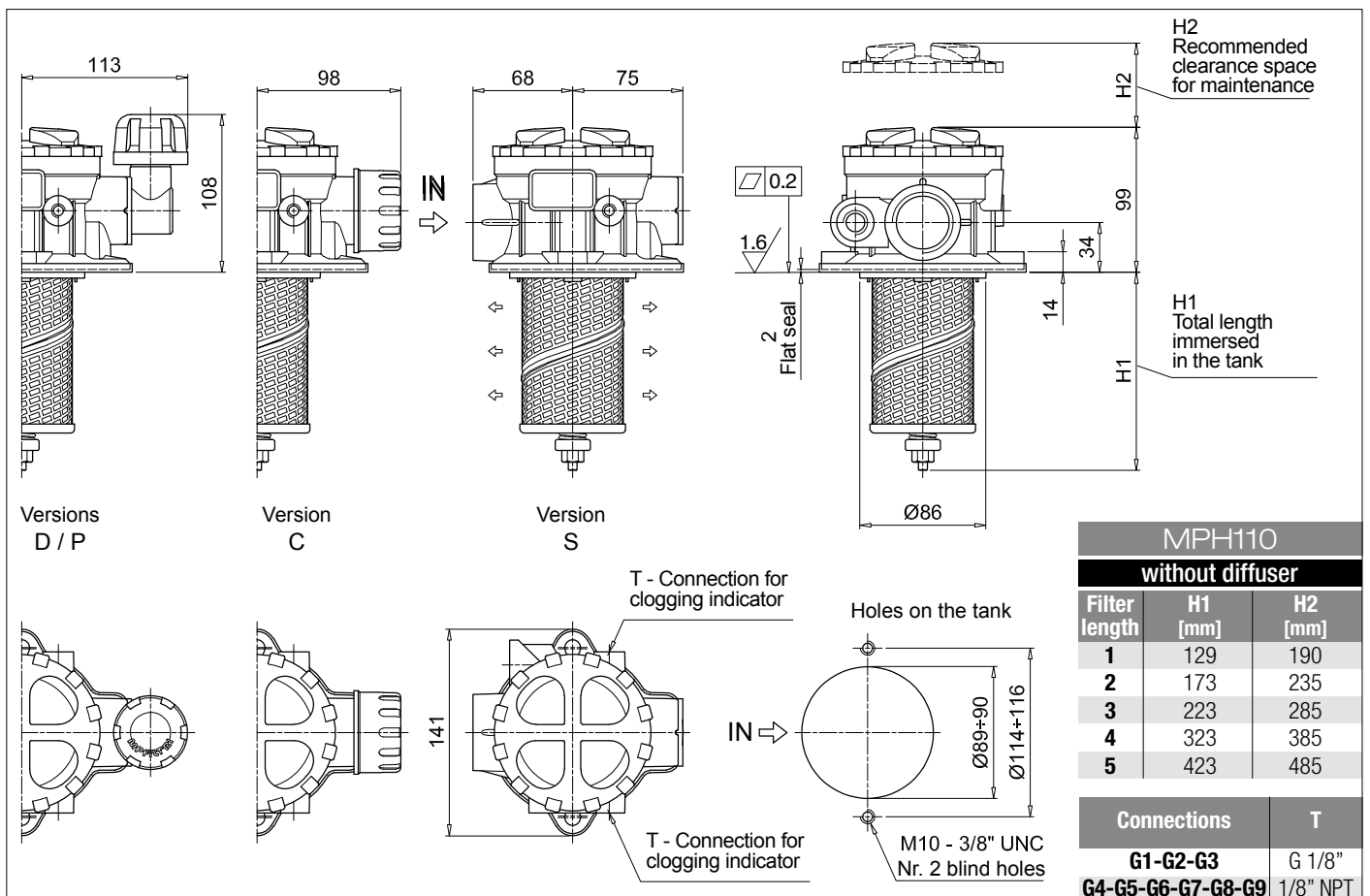
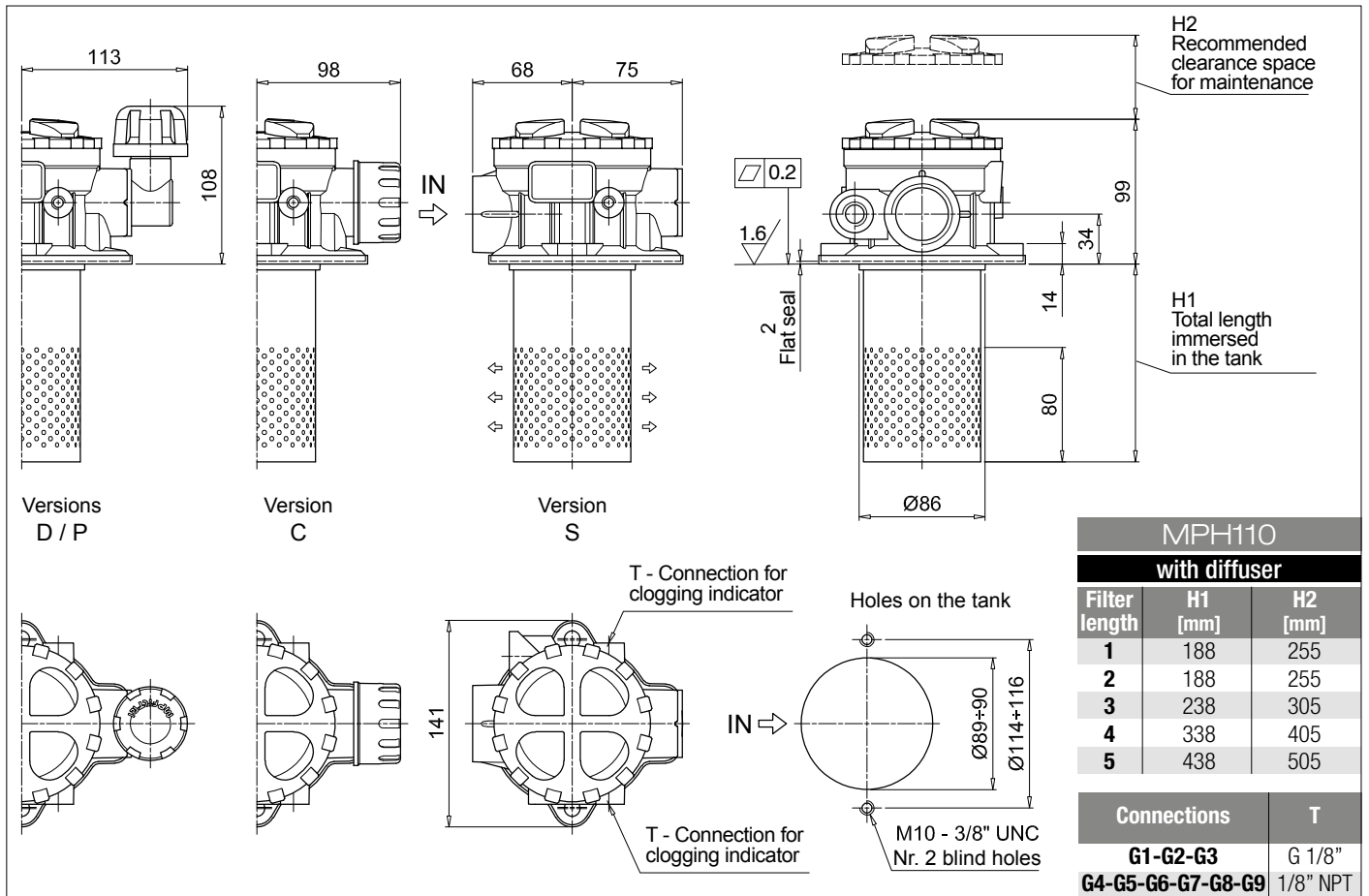
BVA Axial pressure gauge
BVR Radial pressure gauge
BVP Visual pressure indicator with automatic reset
BVQ Visual pressure indicator with manual reset

BEA Electrical pressure indicator
BEM Electrical pressure indicator
BLA Electrical / visual pressure indicator

ADDITIONAL FEATURES

See page 266

DPT Dipstick



Designation & Ordering code

COMPLETE FILTER

Configuration example: **MPH114** | **3** | **C** | **E** | **C** | **Z** | **G6** | **M60** | **P01**

Series and size
MPH114

Length
1 | **2** | **3** | **4** | **5** |

Bypass valve
S Without bypass | **C** 1.75 bar | **E** 2.5 bar

Diffuser and magnetic filter
D With diffuser, with magnetic filter
F With diffuser, without magnetic filter
O Without diffuser, with magnetic filter
E Without diffuser, without magnetic filter

Air breather
S Without air breather
C With air breather 10 µm
D With anti-splash and air breather SAP050 10 µm
P With anti-splash and air breather SAP050 10 µm pressurization 0.5 bar

Seals and treatments	Filtration rating		
	Axx	Mxx	Pxx
A NBR	•	•	•
V FPM	•	•	•
W NBR head anodized	•	•	-
Z FPM head anodized	•	•	-

Connections

G1 G 3/4"	G6 1 1/4" NPT
G2 G 1"	G7 SAE 12 - 1 1/16" - 12 UN
G3 G 1 1/4"	G8 SAE 16 - 1 5/16" - 12 UN
G4 3/4" NPT	G9 SAE 20 - 1 5/8" - 12 UN
G5 1" NPT	

Filtration rating (filter media)

A03 Inorganic microfiber 3 µm	M25 Wire mesh 25 µm
A06 Inorganic microfiber 6 µm	M60 Wire mesh 60 µm
A10 Inorganic microfiber 10 µm	M90 Wire mesh 90 µm
A16 Inorganic microfiber 16 µm	P10 Resin impregnated paper 10 µm
A25 Inorganic microfiber 25 µm	P25 Resin impregnated paper 25 µm

Execution
P01 MP Filtri standard
Pxx Customized

FILTER ELEMENT

Configuration example: **MR100** | **3** | **M60** | **V** | **P01**

Element series and size
MR100

Element length
1 | **2** | **3** | **4** | **5** |

Filtration rating (filter media)

A03 Inorganic microfiber 3 µm	M25 Wire mesh 25 µm
A06 Inorganic microfiber 6 µm	M60 Wire mesh 60 µm
A10 Inorganic microfiber 10 µm	M90 Wire mesh 90 µm
A16 Inorganic microfiber 16 µm	P10 Resin impregnated paper 10 µm
A25 Inorganic microfiber 25 µm	P25 Resin impregnated paper 25 µm

Seals
A NBR
V FPM

Execution
P01 MP Filtri standard
Pxx Customized

CLOGGING INDICATORS

See page 710-711

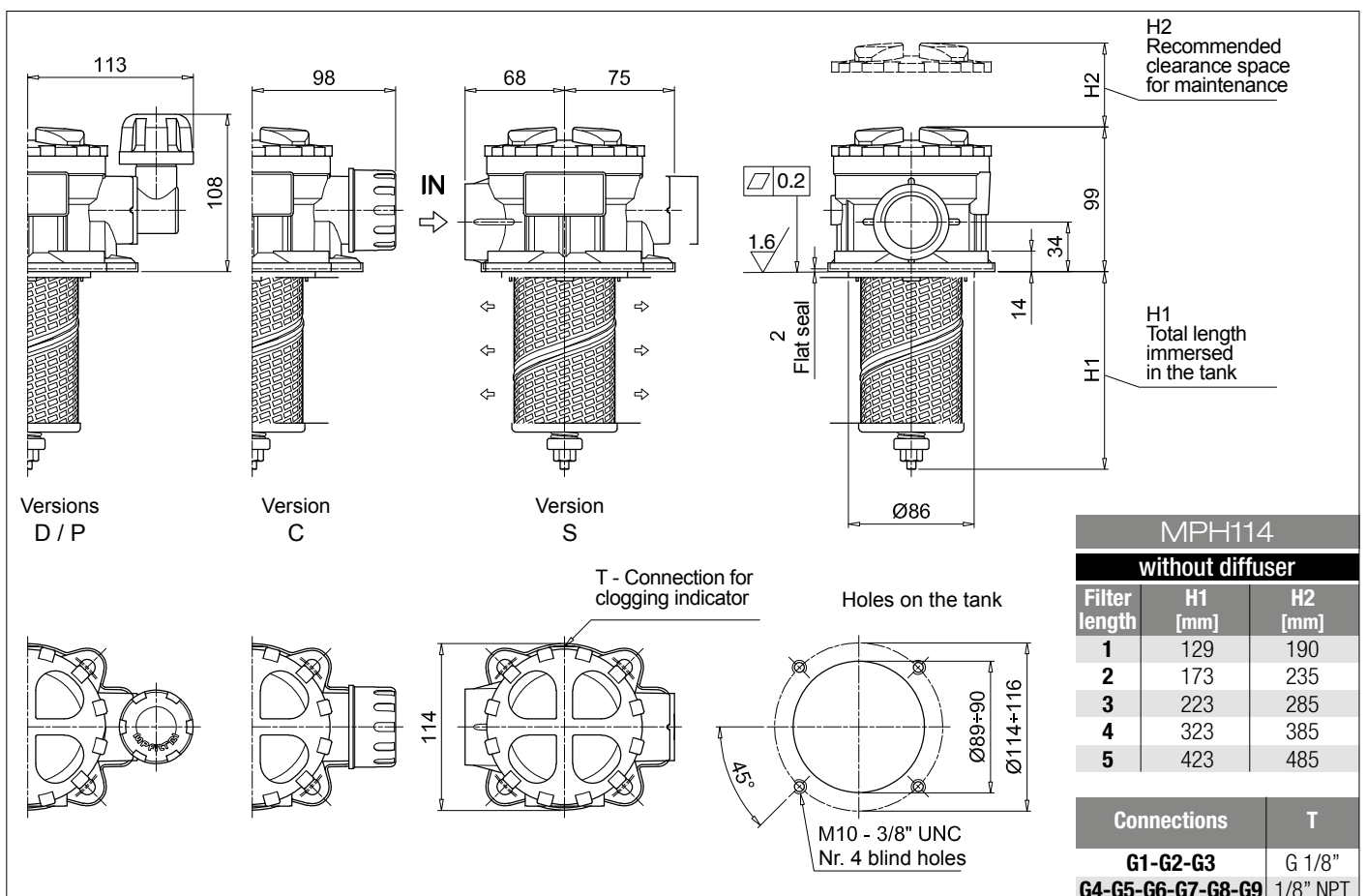
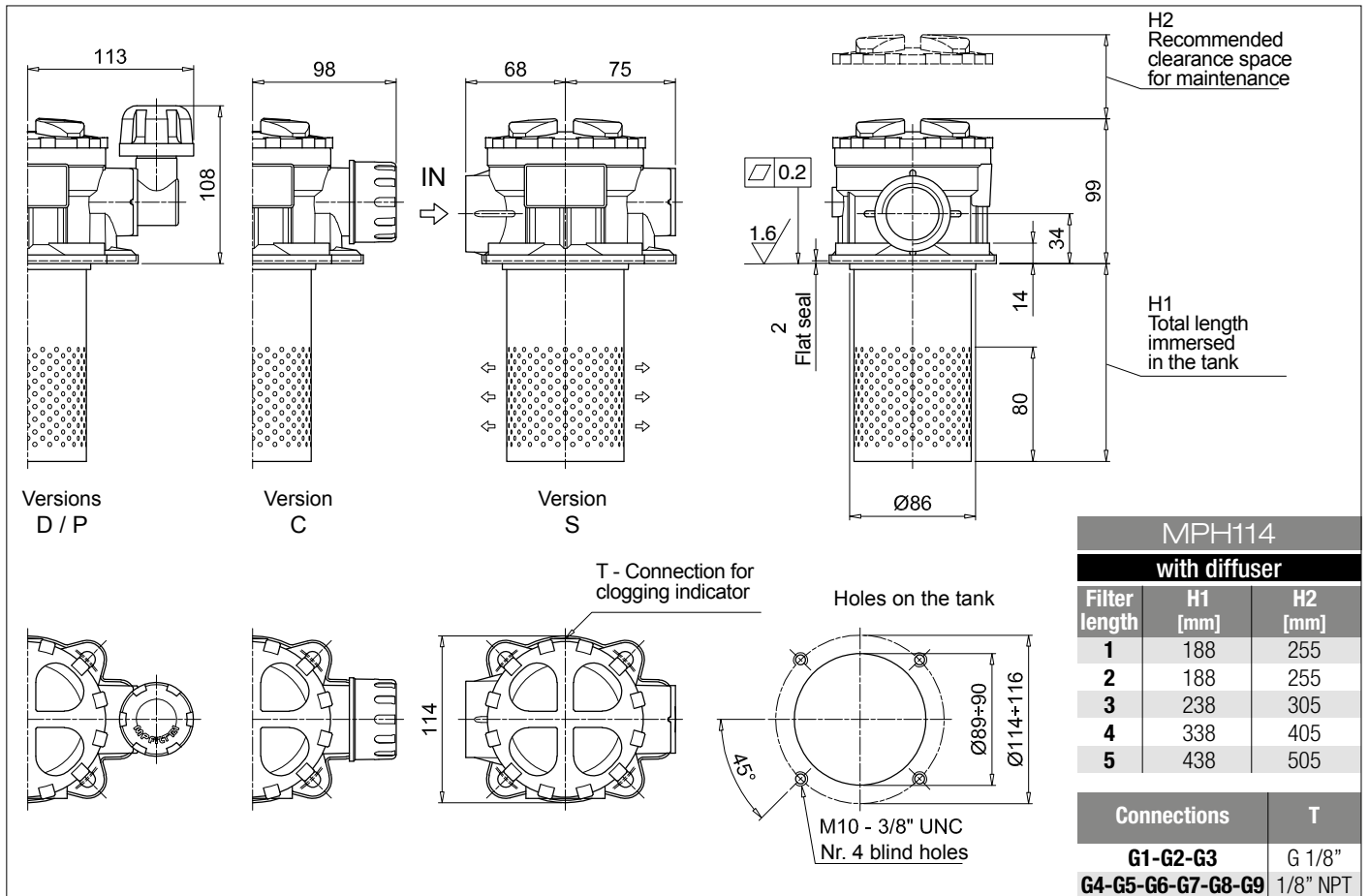
BVA Axial pressure gauge
BVR Radial pressure gauge
BVP Visual pressure indicator with automatic reset
BVQ Visual pressure indicator with manual reset

BEA Electrical pressure indicator
BEM Electrical pressure indicator
BLA Electrical / visual pressure indicator

ADDITIONAL FEATURES

See page 266

DPT Dipstick



Designation & Ordering code

COMPLETE FILTER

Series and size **MPH116** Configuration example: **MPH116** | **5** | **S** | **D** | **S** | **A** | **G1** | **A10** | **P01**

Length
1 | **2** | **3** | **4** | **5** |

Bypass valve
S Without bypass | **C** 1.75 bar | **E** 2.5 bar

Diffuser and magnetic filter
D With diffuser, with magnetic filter
F With diffuser, without magnetic filter
O Without diffuser, with magnetic filter
E Without diffuser, without magnetic filter

Air breather
S Without air breather

Seals and treatments	Filtration rating		
	Axx	Mxx	Pxx
A NBR	•	•	•
V FPM	•	•	•
W NBR head anodized	•	•	-
Z FPM head anodized	•	•	-

Flat seal on the head on request

Connections	
G1 G 3/4"	G6 1 1/4" NPT
G2 G 1"	G7 SAE 12 - 1 1/16" - 12 UN
G3 G 1 1/4"	G8 SAE 16 - 1 5/16" - 12 UN
G4 3/4" NPT	G9 SAE 20 - 1 5/8" - 12 UN
G5 1" NPT	

Filtration rating (filter media)	
A03 Inorganic microfiber 3 µm	M25 Wire mesh 25 µm
A06 Inorganic microfiber 6 µm	M60 Wire mesh 60 µm
A10 Inorganic microfiber 10 µm	M90 Wire mesh 90 µm
A16 Inorganic microfiber 16 µm	P10 Resin impregnated paper 10 µm
A25 Inorganic microfiber 25 µm	P25 Resin impregnated paper 25 µm

Execution	
P01	MP Filtri standard
Pxx	Customized

FILTER ELEMENT

Element series and size **MR100** Configuration example: **MR100** | **5** | **A10** | **A** | **P01**

Element length
1 | **2** | **3** | **4** | **5** |

Filtration rating (filter media)	
A03 Inorganic microfiber 3 µm	M25 Wire mesh 25 µm
A06 Inorganic microfiber 6 µm	M60 Wire mesh 60 µm
A10 Inorganic microfiber 10 µm	M90 Wire mesh 90 µm
A16 Inorganic microfiber 16 µm	P10 Resin impregnated paper 10 µm
A25 Inorganic microfiber 25 µm	P25 Resin impregnated paper 25 µm

Seals	
A	NBR
V	FPM

Execution	
P01	MP Filtri standard
Pxx	Customized

CLOGGING INDICATORS

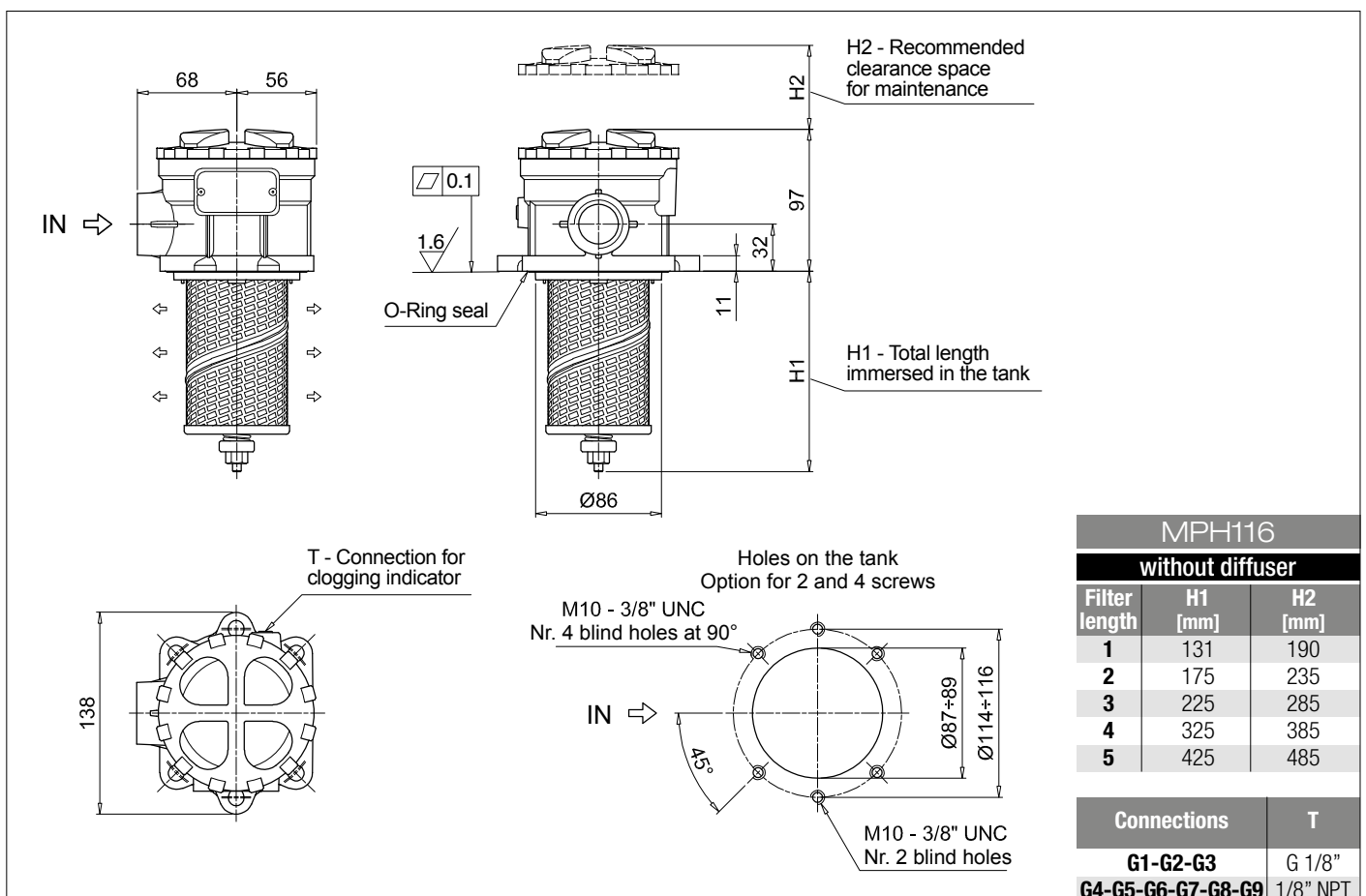
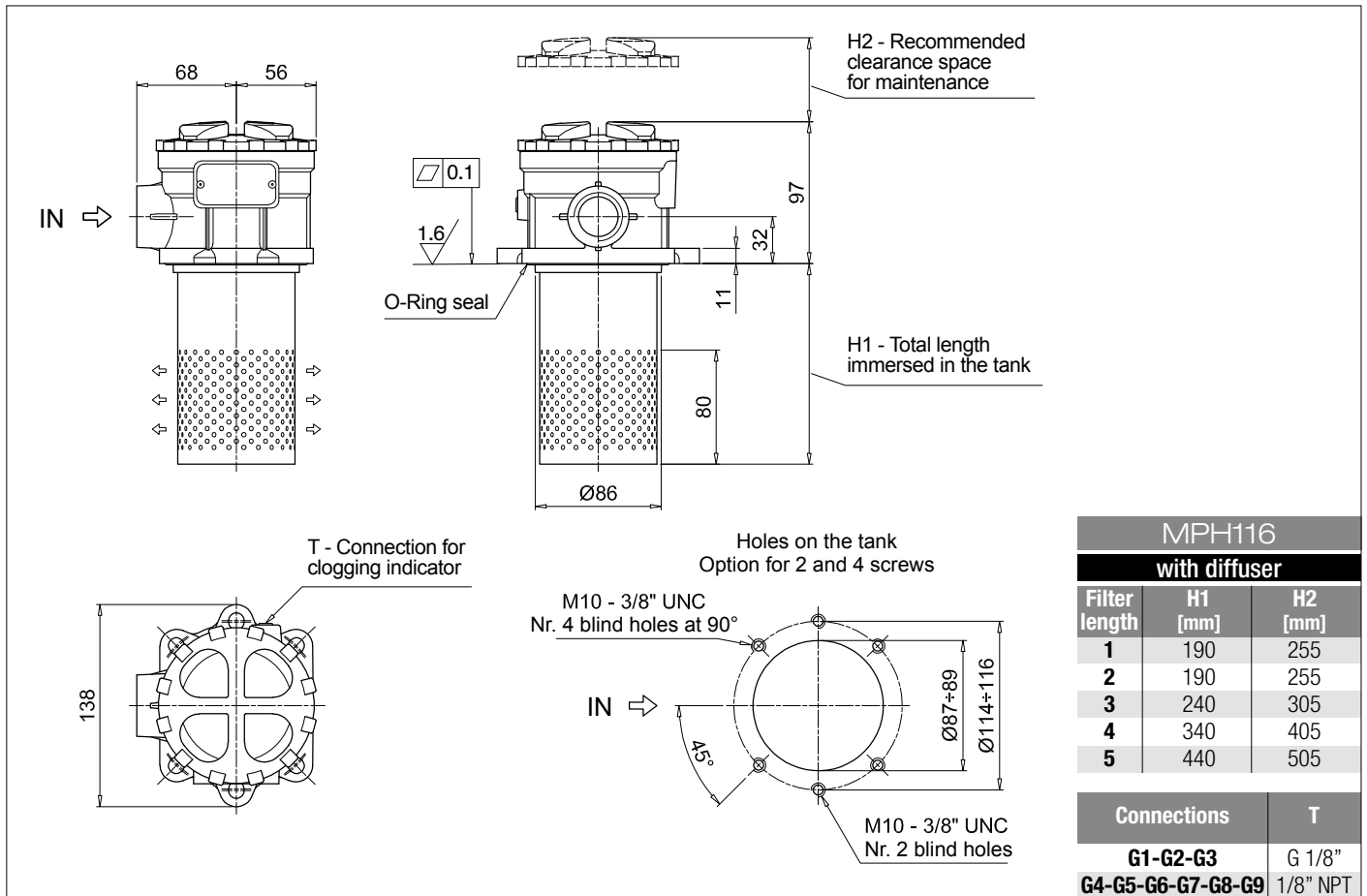
See page 710-711

BVA Axial pressure gauge	BEA Electrical pressure indicator
BVR Radial pressure gauge	BEM Electrical pressure indicator
BVP Visual pressure indicator with automatic reset	BLA Electrical / visual pressure indicator
BVQ Visual pressure indicator with manual reset	

ADDITIONAL FEATURES

See page 266

DPT Dipstick



Designation & Ordering code

COMPLETE FILTER

Series and size **MPH120** Configuration example: **MPH120** | **1** | **S** | **D** | **A** | **G1** | **1** | **A10** | **P01**

Length: **1** | **2** | **3** | **4** | **5**

Bypass valve: **S** Without bypass | **C** 1.75 bar | **E** 2.5 bar

Diffuser and magnetic filter: **D** With diffuser, with magnetic filter | **F** With diffuser, without magnetic filter | **O** Without diffuser, with magnetic filter | **E** Without diffuser, without magnetic filter

Seals and treatments	Filtration rating		
	Axx	Mxx	Pxx
A NBR	•	•	•
V FPM	•	•	•
W NBR head anodized	•	•	-
Z FPM head anodized	•	•	-

Main Connections	Rear connections	Aux size 1	Aux size 2
G1 G 3/4"	G 3/4"	G 3/8"	G 1/2"
G2 G 1"	G 1"		
G3 G 1 1/4"	G 3/4"		
G4 3/4" NPT	3/4" NPT	3/8" NPT	1/2" NPT
G5 1" NPT	1" NPT		
G6 1 1/4" NPT	3/4" NPT		
G7 SAE 12 - 1 1/16" - 12 UN	SAE 12 - 1 1/16" - 12 UN	SAE 6 - 9/16" - 18 UNF	SAE 8 - 3/4" - 16 UNF
G8 SAE 16 - 1 5/16" - 12 UN	SAE 16 - 1 5/16" - 12 UN		
G9 SAE 20 - 1 5/8" - 12 UN	SAE 12 - 1 1/16" - 12 UN		

Aux connection - see previous table: **0** Not machined | **1** Aux size 1 | **2** Aux size 2

Filtration rating (filter media)	
A03 Inorganic microfiber 3 µm	M25 Wire mesh 25 µm
A06 Inorganic microfiber 6 µm	M60 Wire mesh 60 µm
A10 Inorganic microfiber 10 µm	M90 Wire mesh 90 µm
A16 Inorganic microfiber 16 µm	P10 Resin impregnated paper 10 µm
A25 Inorganic microfiber 25 µm	P25 Resin impregnated paper 25 µm

Execution: **P01** MP Filtri standard | **Pxx** Customized

FILTER ELEMENT

Element series and size **MR100** Configuration example: **MR100** | **1** | **A10** | **A** | **P01**

Element length: **1** | **2** | **3** | **4** | **5**

Filtration rating (filter media)	
A03 Inorganic microfiber 3 µm	M25 Wire mesh 25 µm
A06 Inorganic microfiber 6 µm	M60 Wire mesh 60 µm
A10 Inorganic microfiber 10 µm	M90 Wire mesh 90 µm
A16 Inorganic microfiber 16 µm	P10 Resin impregnated paper 10 µm
A25 Inorganic microfiber 25 µm	P25 Resin impregnated paper 25 µm

Seals: **A** NBR | **V** FPM

Execution: **P01** MP Filtri standard | **Pxx** Customized

CLOGGING INDICATORS

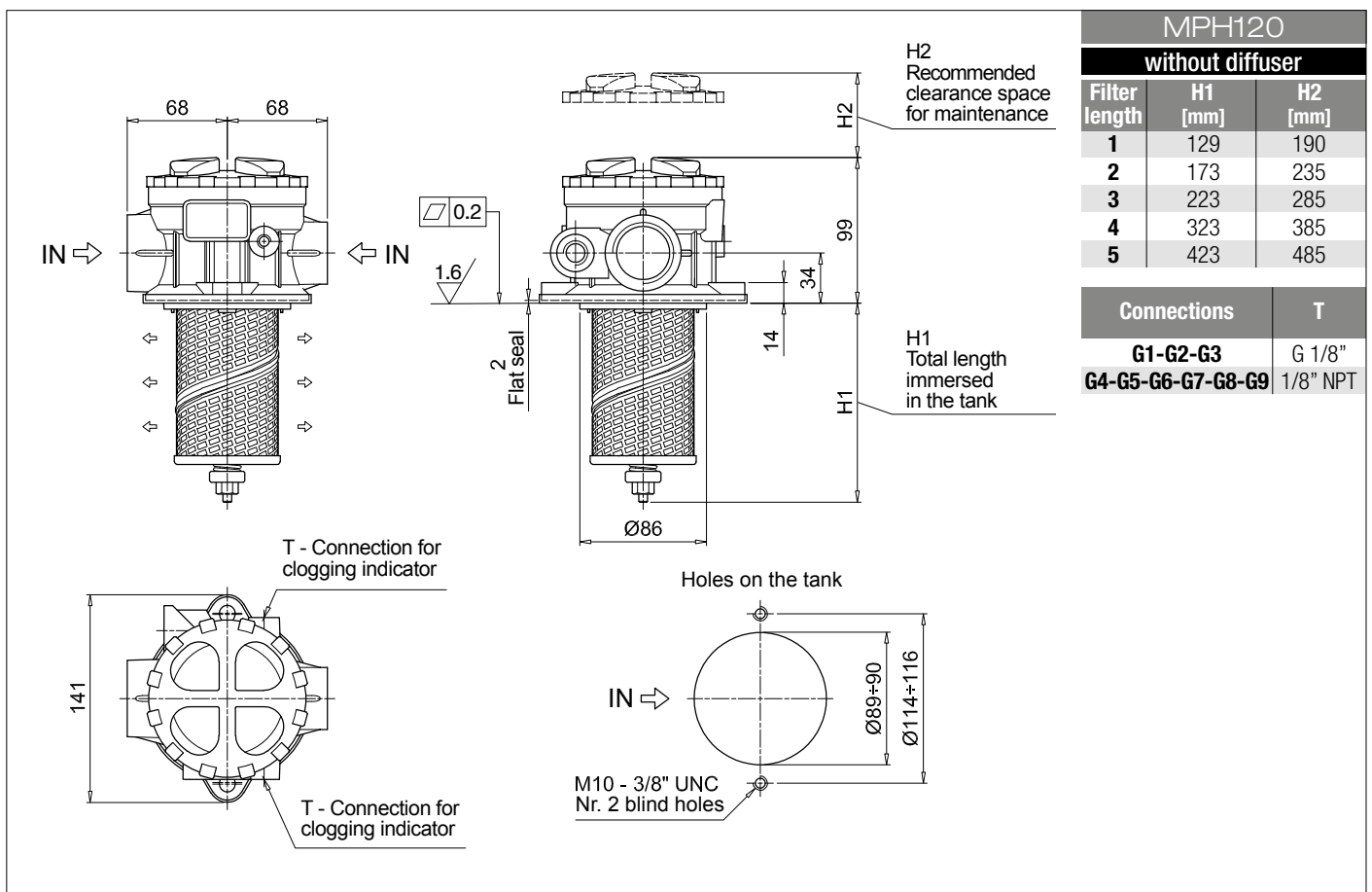
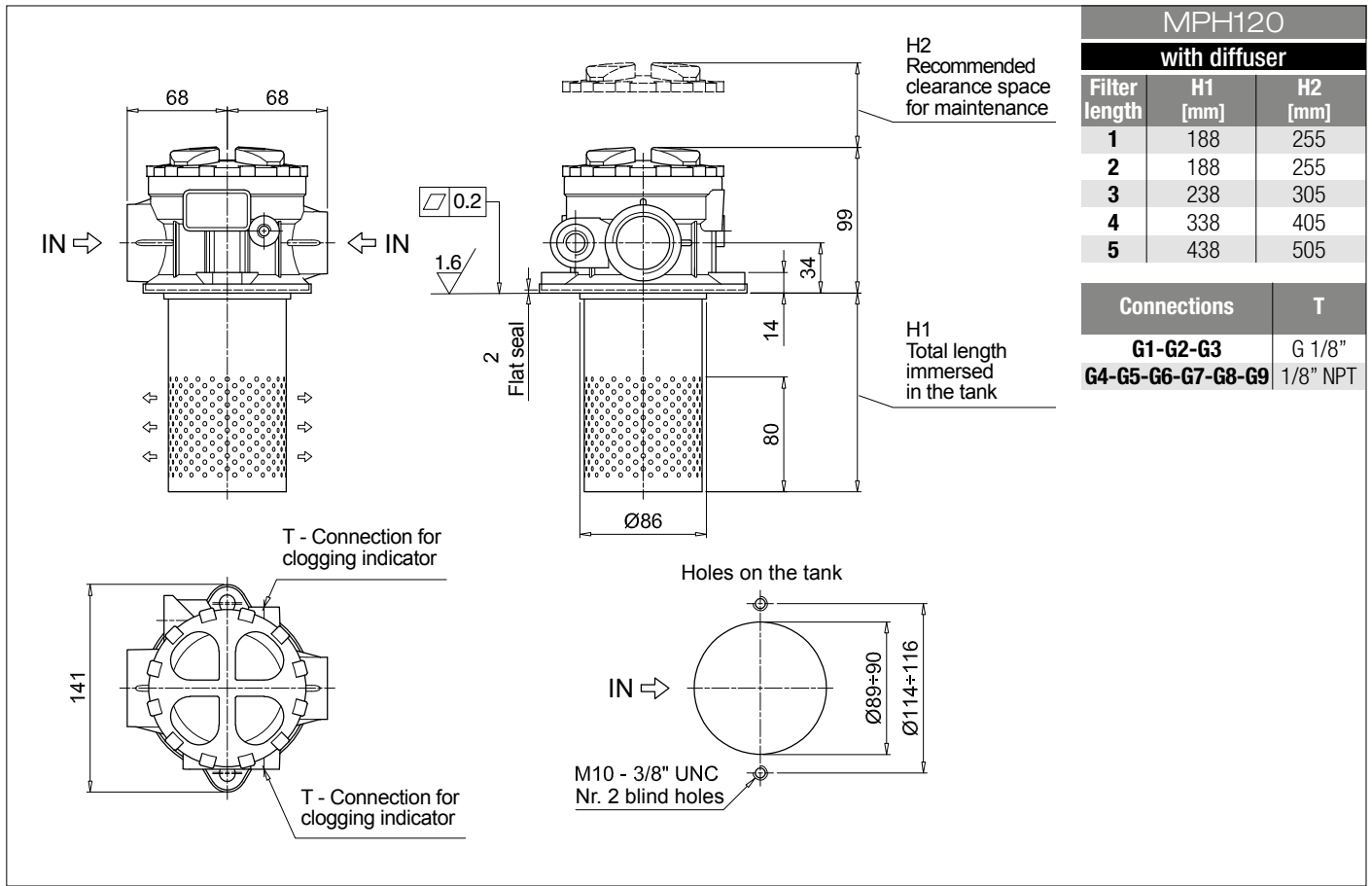
See page 710-711

BVA Axial pressure gauge	BEA Electrical pressure indicator
BVR Radial pressure gauge	BEM Electrical pressure indicator
BVP Visual pressure indicator with automatic reset	BLA Electrical / visual pressure indicator
BVQ Visual pressure indicator with manual reset	

ADDITIONAL FEATURES

See page 266

DPT Dipstick



Designation & Ordering code

COMPLETE FILTER

Series and size **MPH250** Configuration example: **MPH250** | **1** | **C** | **D** | **S** | **A** | **G1** | **A10** | **P01**

Length: **1** | **2** | **3** | **4**

Bypass valve: **S** Without bypass | **C** 1.75 bar | **E** 2.5 bar

Diffuser and magnetic filter: **D** With diffuser, with magnetic filter | **F** With diffuser, without magnetic filter | **O** Without diffuser, with magnetic filter | **E** Without diffuser, without magnetic filter

Air breather: **S** Without air breather

Seals and treatments	Filtration rating		
	Axx	Mxx	Pxx
A NBR	•	•	•
V FPM	•	•	•
W NBR head anodized	•	•	-
Z FPM head anodized	•	•	-

Main Connections	Rear connections
G1 G 1 1/2"	-
G2 G 1 1/2"	G 1 1/4"
G4 1 1/2" NPT	-
G5 1 1/2" NPT	1 1/4" NPT
G7 SAE 24 - 1 7/8" - 12 UN	-
G8 SAE 24 - 1 7/8" - 12 UN	SAE 20 - 1 5/8" - 12 UN
F1 1 1/2" SAE 3000 psi/M	-
F2 1 1/2" SAE 3000 psi/M	1 1/4" SAE 3000 psi/M
F3 1 1/2" SAE 3000 psi/UNC	-
F4 1 1/2" SAE 3000 psi/UNC	1 1/4" SAE 3000 psi/UNC

Filtration rating (filter media)	
A03 Inorganic microfiber 3 µm	M25 Wire mesh 25 µm
A06 Inorganic microfiber 6 µm	M60 Wire mesh 60 µm
A10 Inorganic microfiber 10 µm	M90 Wire mesh 90 µm
A16 Inorganic microfiber 16 µm	P10 Resin impregnated paper 10 µm
A25 Inorganic microfiber 25 µm	P25 Resin impregnated paper 25 µm

Execution	
P01	MP Filtri standard
Pxx	Customized

FILTER ELEMENT

Element series and size **MR250** Configuration example: **MR250** | **1** | **A10** | **A** | **P01**

Element length: **1** | **2** | **3** | **4**

Filtration rating (filter media)	
A03 Inorganic microfiber 3 µm	M25 Wire mesh 25 µm
A06 Inorganic microfiber 6 µm	M60 Wire mesh 60 µm
A10 Inorganic microfiber 10 µm	M90 Wire mesh 90 µm
A16 Inorganic microfiber 16 µm	P10 Resin impregnated paper 10 µm
A25 Inorganic microfiber 25 µm	P25 Resin impregnated paper 25 µm

Seals	
A	NBR
V	FPM

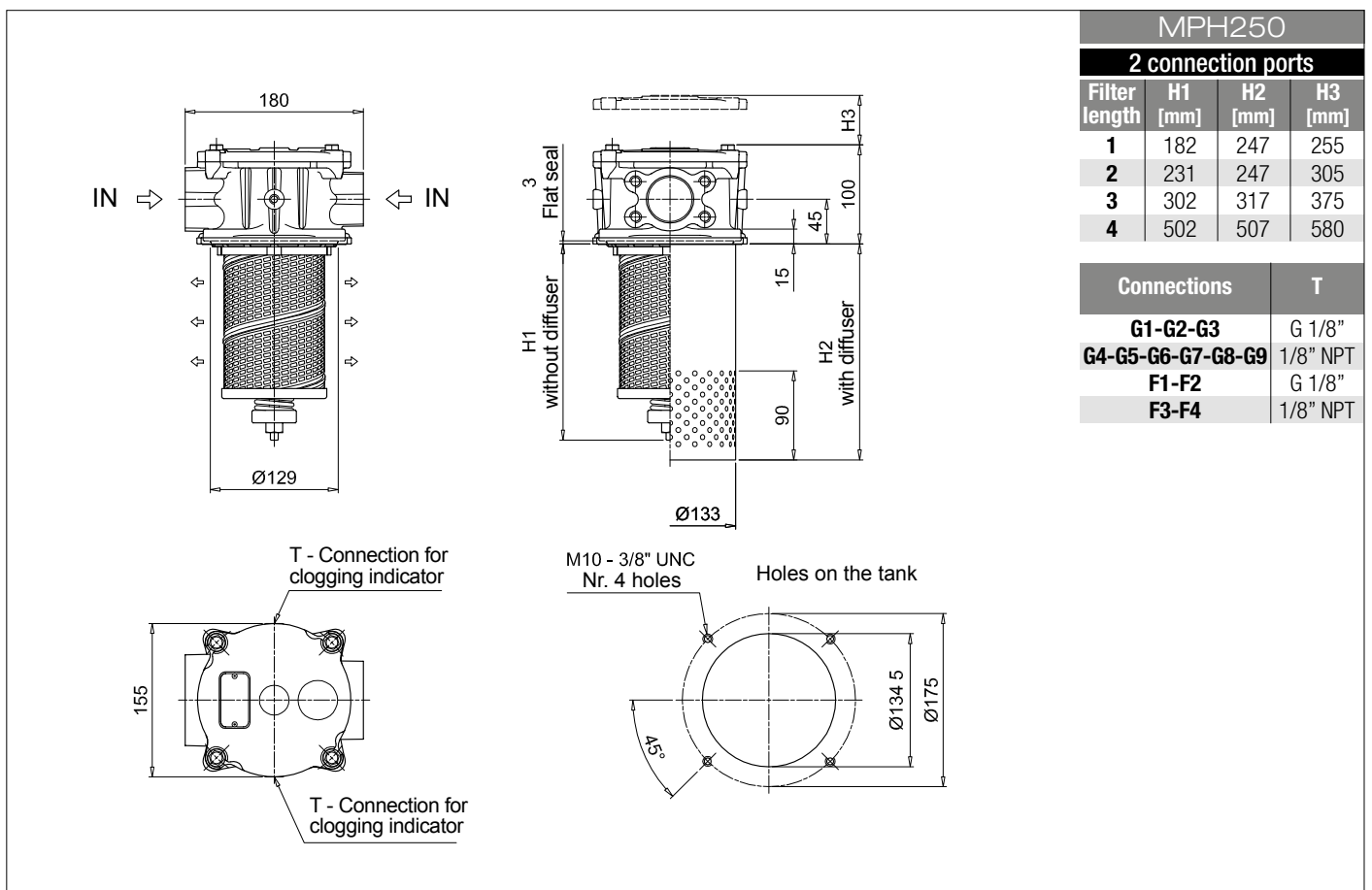
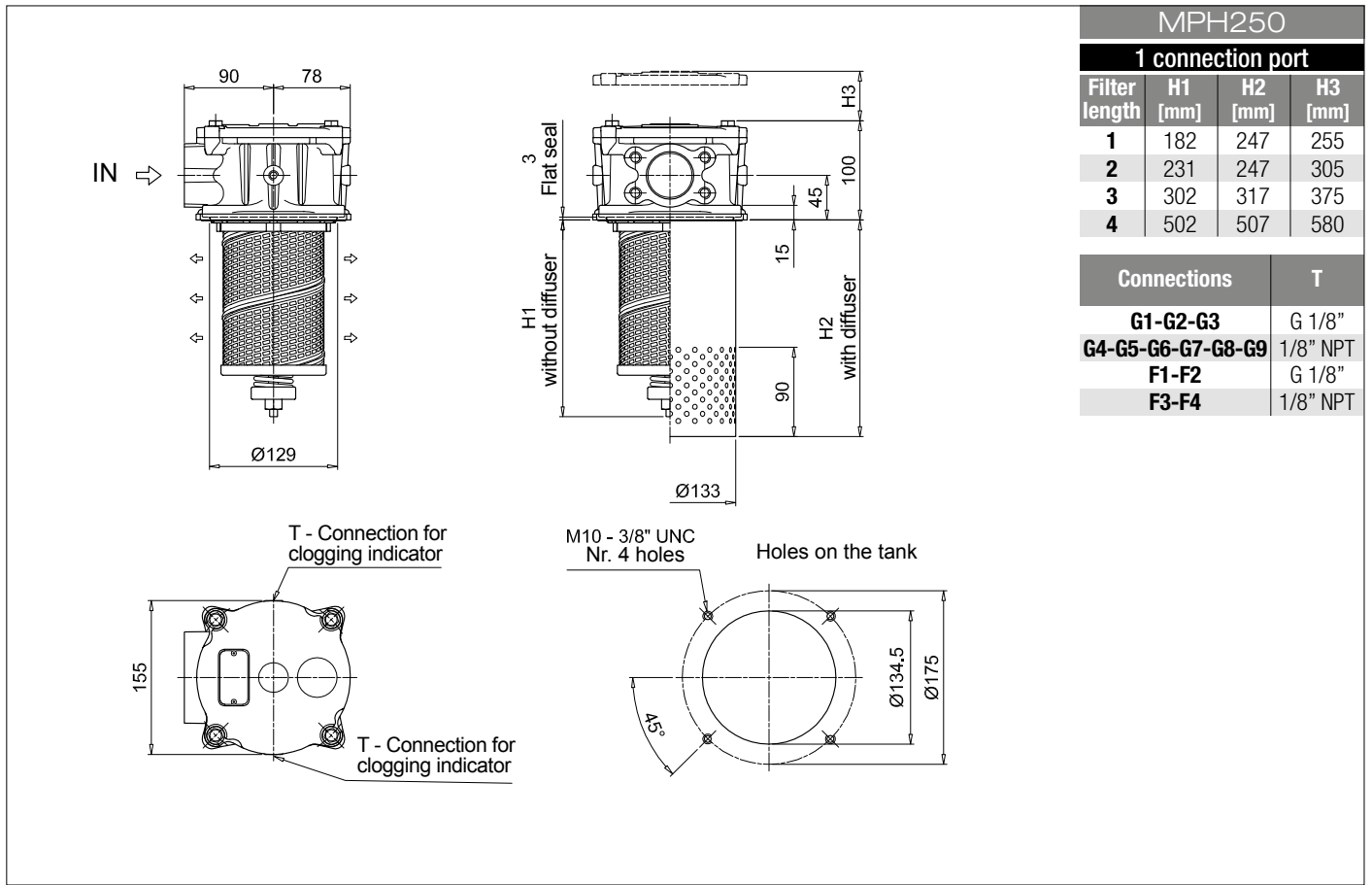
Execution	
P01	MP Filtri standard
Pxx	Customized

CLOGGING INDICATORS

See page 710-711

BVA Axial pressure gauge
BVR Radial pressure gauge
BVP Visual pressure indicator with automatic reset
BVQ Visual pressure indicator with manual reset

BEA Electrical pressure indicator
BEM Electrical pressure indicator
BLA Electrical / visual pressure indicator



Designation & Ordering code

COMPLETE FILTER

Configuration example: **MPH630** | **1** | **S** | **E** | **S** | **W** | **F1** | **M25** | **P01**

Series and size
MPH630

Length
1 | **2** | **3** | **4** | **5**

Bypass valve
S Without bypass | **C** 1.75 bar | **E** 2.5 bar

Diffuser and magnetic filter
D With diffuser, with magnetic filter
F With diffuser, without magnetic filter
O Without diffuser, with magnetic filter
E Without diffuser, without magnetic filter

Air breather
S Without air breather

Seals and treatments	Filtration rating		
	Axx	Mxx	Pxx
A NBR	•	•	•
V FPM	•	•	•
W NBR head anodized	•	•	-
Z FPM head anodized	•	•	-

Main Connections	Rear connections
F1 2 1/2" SAE 3000 psi/M	-
F2 2 1/2" SAE 3000 psi/M	2" SAE 3000 psi/M
F3 2 1/2" SAE 3000 psi/UNC	-
F4 2 1/2" SAE 3000 psi/UNC	2" SAE 3000 psi/UNC

Filtration rating (filter media)	
A03 Inorganic microfiber 3 µm	M25 Wire mesh 25 µm
A06 Inorganic microfiber 6 µm	M60 Wire mesh 60 µm
A10 Inorganic microfiber 10 µm	M90 Wire mesh 90 µm
A16 Inorganic microfiber 16 µm	P10 Resin impregnated paper 10 µm
A25 Inorganic microfiber 25 µm	P25 Resin impregnated paper 25 µm

Execution
P01 MP Filtri standard
Pxx Customized

FILTER ELEMENT

Configuration example: **MR630** | **1** | **M25** | **A** | **P01**

Element series and size
MR630

Element length
1 | **2** | **3** | **4** | **5**

Filtration rating (filter media)	
A03 Inorganic microfiber 3 µm	M25 Wire mesh 25 µm
A06 Inorganic microfiber 6 µm	M60 Wire mesh 60 µm
A10 Inorganic microfiber 10 µm	M90 Wire mesh 90 µm
A16 Inorganic microfiber 16 µm	P10 Resin impregnated paper 10 µm
A25 Inorganic microfiber 25 µm	P25 Resin impregnated paper 25 µm

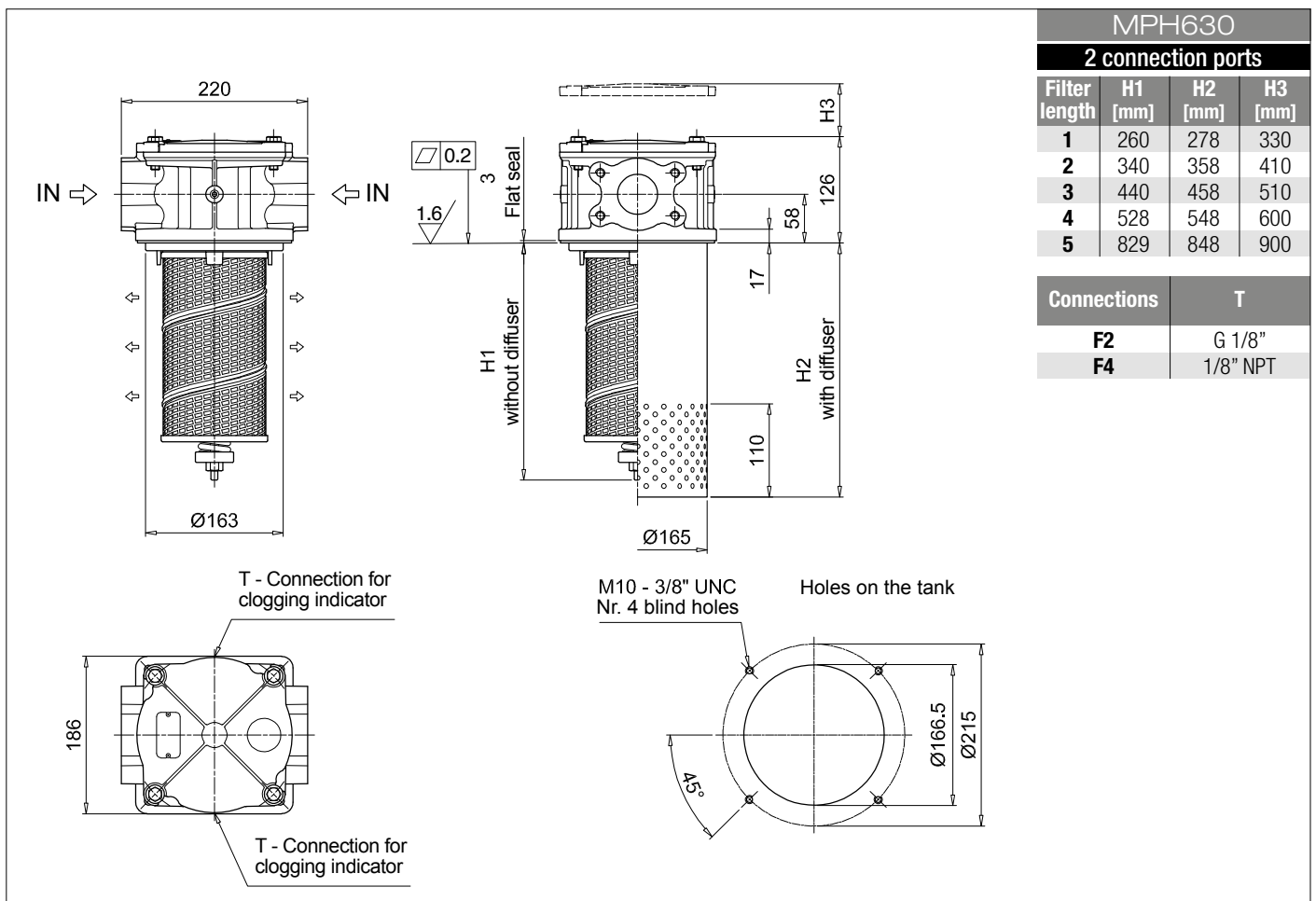
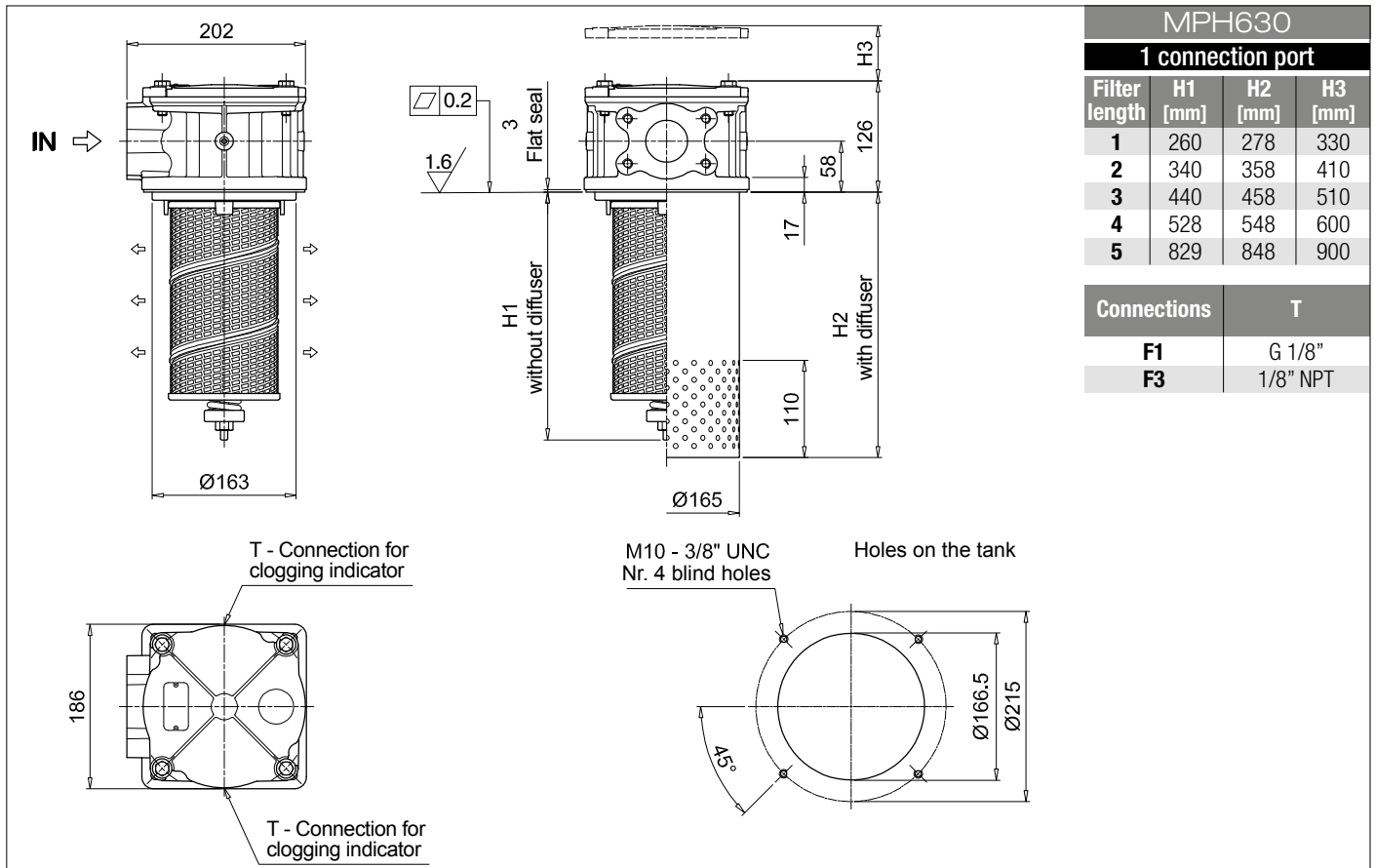
Seals	Execution
A NBR	P01 MP Filtri standard
V FPM	Pxx Customized

CLOGGING INDICATORS

See page 710-711

BVA Axial pressure gauge
BVR Radial pressure gauge
BVP Visual pressure indicator with automatic reset
BVQ Visual pressure indicator with manual reset

BEA Electrical pressure indicator
BEM Electrical pressure indicator
BLA Electrical / visual pressure indicator



Designation & Ordering code

COMPLETE FILTER

Configuration example: **MPH660** | **4** | **C** | **D** | **S** | **A** | **F2** | **A10** | **P01**

Series and size
MPH660

Length
4 | **5**

Bypass valve
S Without bypass | **C** 1.75 bar | **E** 2.5 bar

Diffuser and magnetic filter
D With diffuser, with magnetic filter
F With diffuser, without magnetic filter
O Without diffuser, with magnetic filter
E Without diffuser, without magnetic filter

Air breather
S Without air breather

Seals and treatments	Filtration rating		
	Axx	Mxx	Pxx
A NBR	•	•	•
V FPM	•	•	•
W NBR head anodized	•	•	-
Z FPM head anodized	•	•	-

Main Connections
F1 3" SAE 3000 psi/M
F2 4" SAE 3000 psi/M

Filtration rating (filter media)	
A03 Inorganic microfiber 3 µm	M25 Wire mesh 25 µm
A06 Inorganic microfiber 6 µm	M60 Wire mesh 60 µm
A10 Inorganic microfiber 10 µm	M90 Wire mesh 90 µm
A16 Inorganic microfiber 16 µm	P10 Resin impregnated paper 10 µm
A25 Inorganic microfiber 25 µm	P25 Resin impregnated paper 25 µm

Execution
P01 MP Filtri standard
Pxx Customized

FILTER ELEMENT

Configuration example: **MR630** | **5** | **M25** | **A** | **P01**

Element series and size
MR630

Element length
4 | **5**

Filtration rating (filter media)	
A03 Inorganic microfiber 3 µm	M25 Wire mesh 25 µm
A06 Inorganic microfiber 6 µm	M60 Wire mesh 60 µm
A10 Inorganic microfiber 10 µm	M90 Wire mesh 90 µm
A16 Inorganic microfiber 16 µm	P10 Resin impregnated paper 10 µm
A25 Inorganic microfiber 25 µm	P25 Resin impregnated paper 25 µm

Seals
A NBR
V FPM

Execution
P01 MP Filtri standard
Pxx Customized

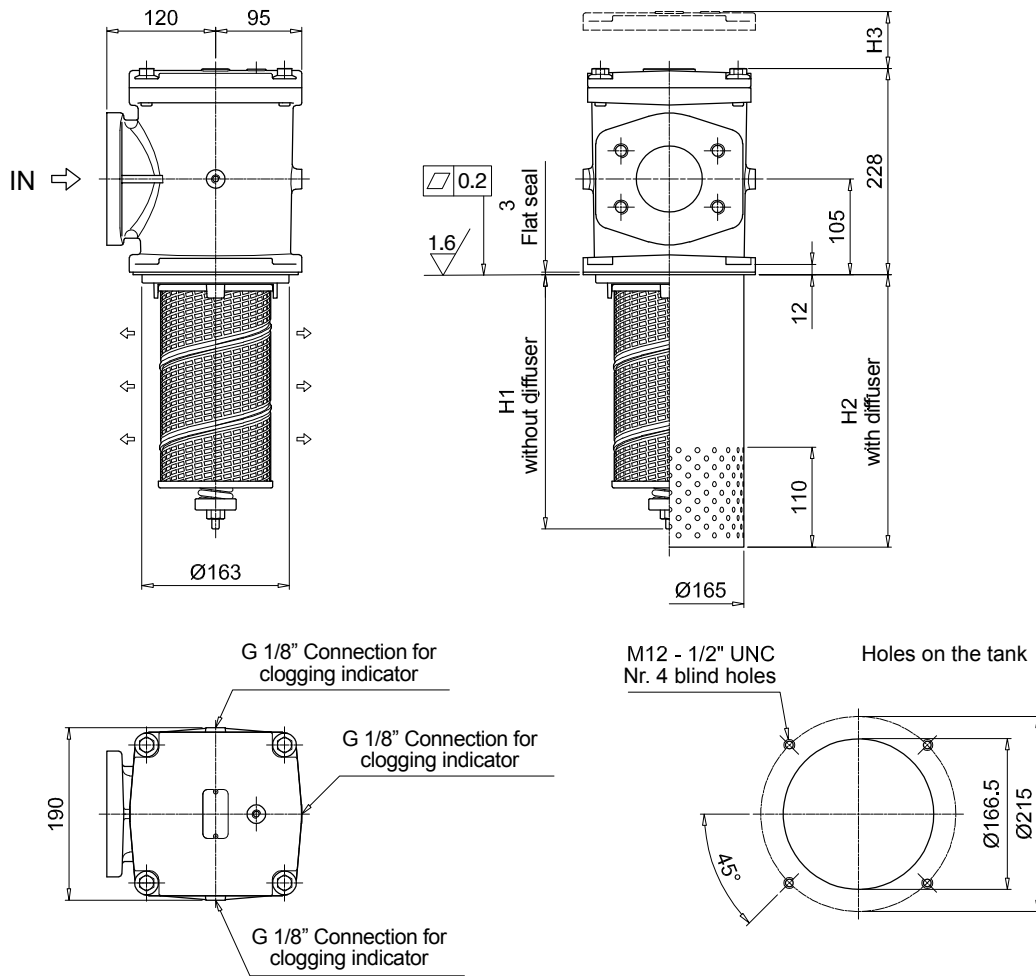
CLOGGING INDICATORS

See page 710-711

BVA Axial pressure gauge
BVR Radial pressure gauge
BVP Visual pressure indicator with automatic reset
BVQ Visual pressure indicator with manual reset

BEA Electrical pressure indicator
BEM Electrical pressure indicator
BLA Electrical / visual pressure indicator

MPH660			
Filter length	H1 [mm]	H2 [mm]	H3 [mm]
4	538	548	610
5	838	848	910



Designation & Ordering code

COMPLETE FILTER

Configuration example: **MPH850** | **1** | **C** | **D** | **S** | **A** | **F1** | **A10** | **P01**

Series and size
MPH850

Length
1 | **2** | **3** | **4**

Bypass valve
S Without bypass | **C** 1.75 bar

Diffuser and magnetic filter
D With diffuser, with magnetic filter
F With diffuser, without magnetic filter
O Without diffuser, with magnetic filter
E Without diffuser, without magnetic filter

Air breather
S Without air breather

Seals and treatments	Filtration rating		
	Axx	Mxx	Pxx
A NBR	•	•	•
V FPM	•	•	•
W NBR head anodized	•	•	-
Z FPM head anodized	•	•	-

Main Connections	Rear connections
F1 UNI 2223 DN 100 PN 10/16	3" SAE 3000 psi/M
F2 UNI 2223 DN 100 PN 10/16	3" SAE 3000 psi/UNC
F5 Not machined	3" SAE 3000 psi/M
F6 Not machined	3" SAE 3000 psi/UNC
F7 4" SAE 3000 psi/M	3" SAE 3000 psi/M
F8 4" SAE 3000 psi/UNC	3" SAE 3000 psi/UNC

Filtration rating (filter media)	
A03 Inorganic microfiber 3 µm	M25 Wire mesh 25 µm
A06 Inorganic microfiber 6 µm	M60 Wire mesh 60 µm
A10 Inorganic microfiber 10 µm	M90 Wire mesh 90 µm
A16 Inorganic microfiber 16 µm	P10 Resin impregnated paper 10 µm
A25 Inorganic microfiber 25 µm	P25 Resin impregnated paper 25 µm

Execution	
P01	MP Filtri standard
Pxx	Customized

FILTER ELEMENT

Configuration example: **MR850** | **1** | **A10** | **A** | **P01**

Element series and size
MR850

Element length
1 | **2** | **3** | **4**

Filtration rating (filter media)	
A03 Inorganic microfiber 3 µm	M25 Wire mesh 25 µm
A06 Inorganic microfiber 6 µm	M60 Wire mesh 60 µm
A10 Inorganic microfiber 10 µm	M90 Wire mesh 90 µm
A16 Inorganic microfiber 16 µm	P10 Resin impregnated paper 10 µm
A25 Inorganic microfiber 25 µm	P25 Resin impregnated paper 25 µm

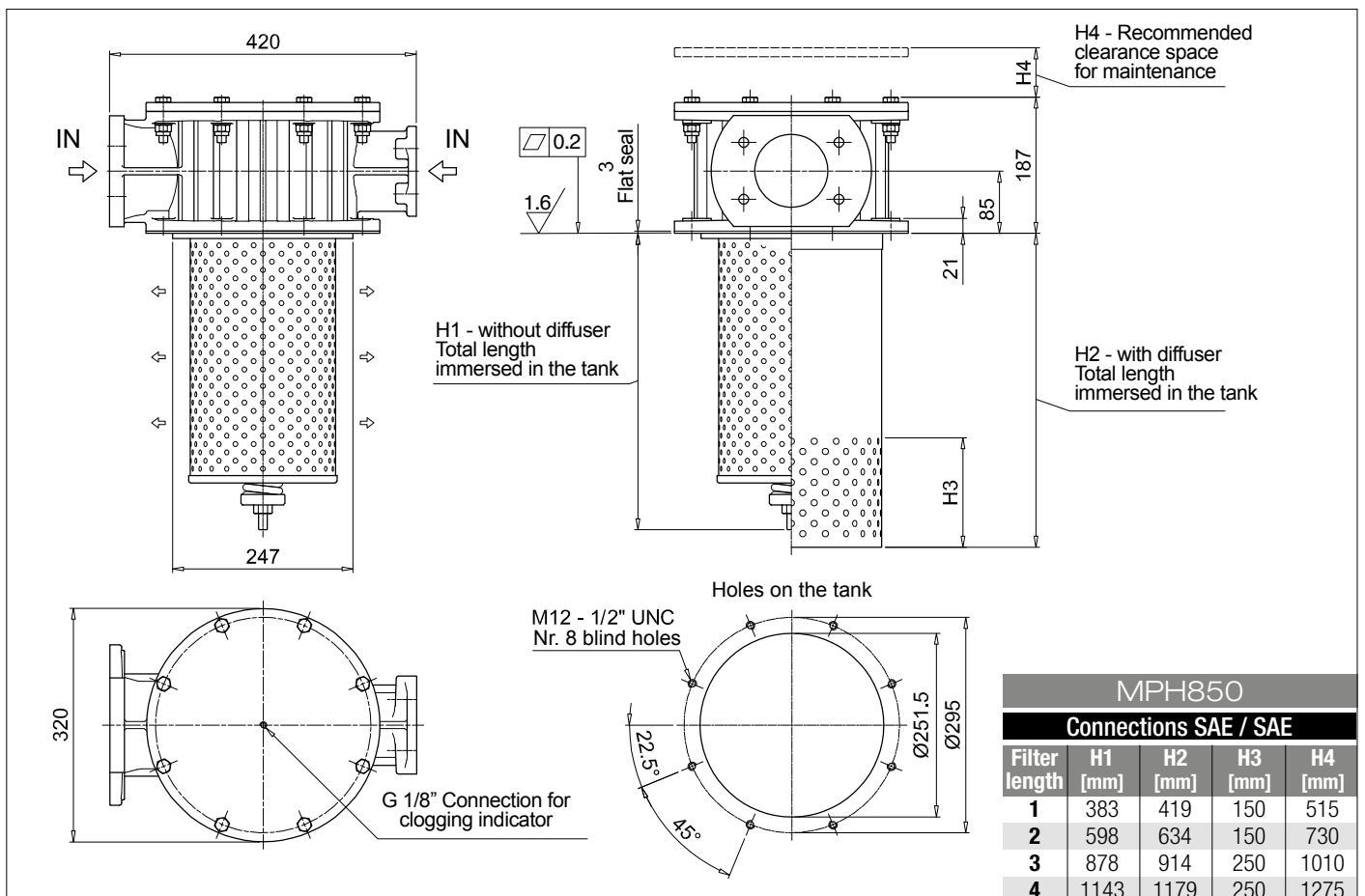
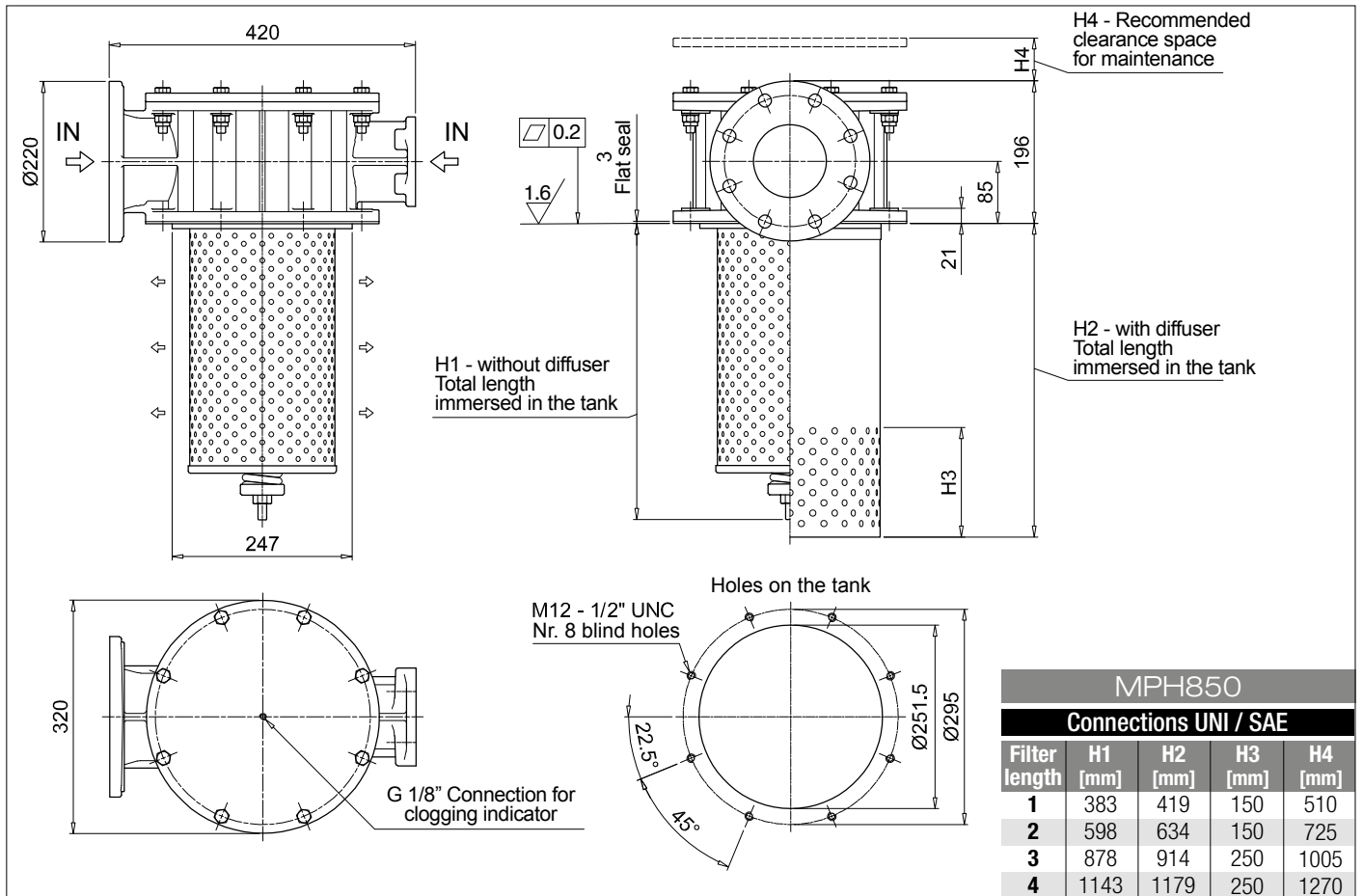
Seals	Execution
A NBR	P01 MP Filtri standard
V FPM	Pxx Customized

CLOGGING INDICATORS

See page 710-711

BVA Axial pressure gauge
BVR Radial pressure gauge
BVP Visual pressure indicator with automatic reset
BVQ Visual pressure indicator with manual reset

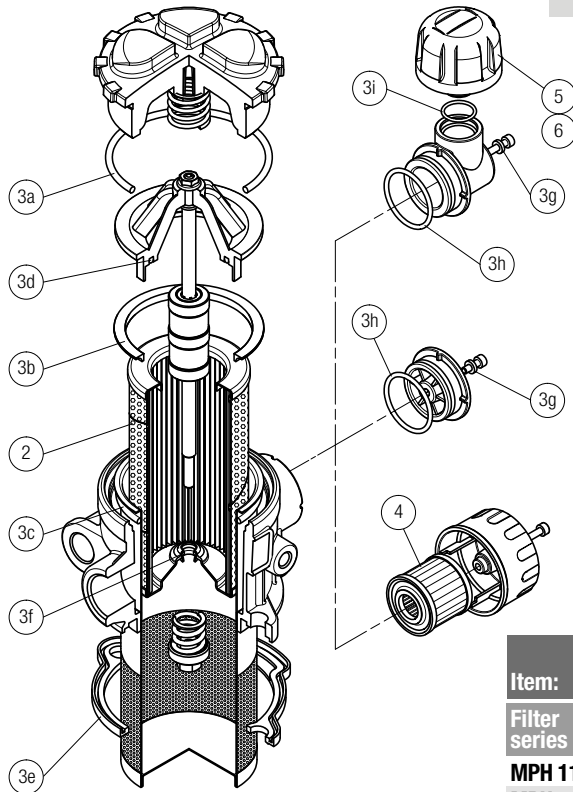
BEA Electrical pressure indicator
BEM Electrical pressure indicator
BLA Electrical / visual pressure indicator



MPH SPARE PARTS

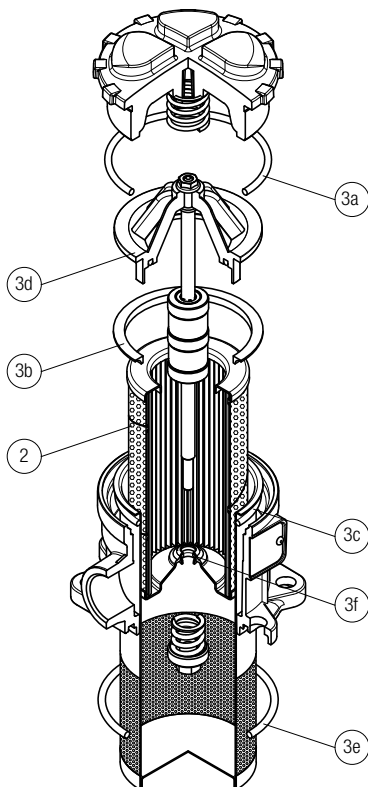
Order number for spare parts

MPH 110 - 114



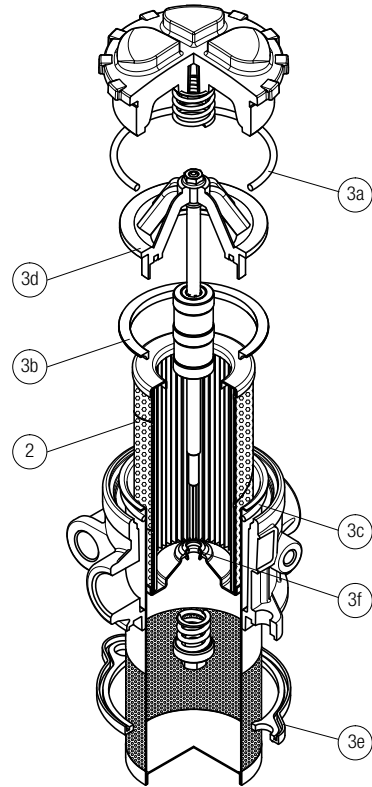
Item:	Q.ty: 1 pc.	Q.ty: 1 pc.		Q.ty: 1 pc.	Q.ty: 1 pc.		Q.ty: 1 pc.
Filter series	Filter element	Seal Kit code number		Air breather filter element - version:			
		NBR	FPM	C	D	P	
MPH 110	See order table	02050565	02050566	10 µm A3L03	10 µm SAP50G3L03A0P01	10 µm SAP50G3L03A1P01	
MPH 114	See order table	02050582	02050583				

MPH 116



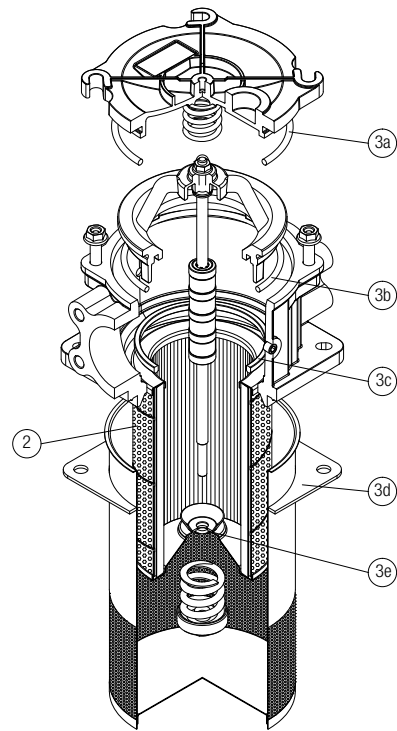
Item:	Q.ty: 1 pc.	Q.ty: 1 pc.	
Filter series	Filter element	Seal Kit code number	
		NBR	FPM
MPH 116	See order table	02050741	02050742

MPH 120



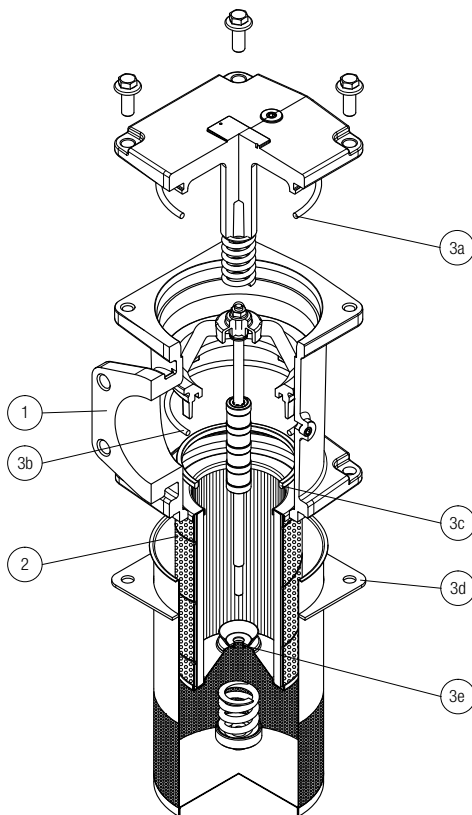
Item:	Q.ty: 1 pc.	Q.ty: 1 pc.	
Filter series	Filter element	Seal Kit code number	
		NBR	FPM
MPH 120	See order table	02050567	02050568

MPH 250 - 630



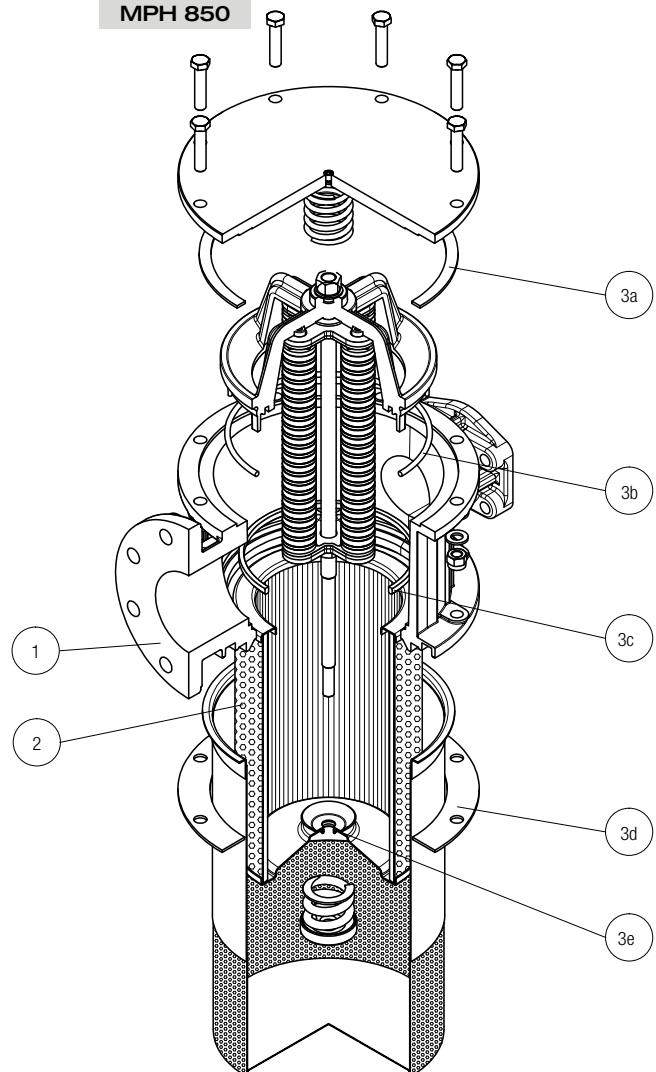
Item:	Q.ty: 1 pc.	Q.ty: 1 pc.	
Filter series	Filter element	Seal Kit code number	
MPH 250	MPH 630	NBR	FPM
	2	3 (3a ÷ 3e)	
	See order table	02050151	02050152
	See order table	02050153	02050154

MPH 660



Item:	Q.ty: 1 pc.	Q.ty: 1 pc.	
Filter series	Filter element	Seal Kit code number	
MPH 660	MPH 850	NBR	FPM
	2	3 (3a ÷ 3e)	
	See order table	02050153	02050154
	See order table	02050155	02050156

MPH 850



Accessories

POLYAMIDE EXTENSION TUBE

H1 - Total length immersed in the tank

Configuration example: **TE** **40** **A** **250**

Series	Size	Material	Length	H [mm]
TE			200	200
			250	250
			300	300
			350	350
			400	400
			450	450
			500	500

Filter series		Filter size		Filter length	Tube length										
					TE25	TE32	TE40	200	250	300	350	400	450	500	
MPF - MPFX		30		1	•	-	-	266	316	366	416	466	516	566	
MPF	100	104	110	1	-	•	-	275	325	375	425	475	525	575	
				2	-	-	-	322	372	422	472	522	572	622	
				3	-	-	•	400	450	500	550	600	650	700	
				4	-	-	-	502	552	602	652	702	752	802	
MPFX	100	104	110	1	-	-	•	277	327	377	427	477	527	577	
				2	-	-	•	322	372	422	472	522	572	622	
				3	-	-	•	400	450	500	550	600	650	700	
				4	-	-	-	502	552	602	652	702	752	802	
MPF MPFX	181	182	184	1	-	-	•	410	460	510	560	610	660	710	
				2	-	-	•	623	673	723	773	823	873	923	
MPT MPTX	025		027		1	•	-	-	278	328	378	428	478	528	578
					2	•	-	-	342	392	442	492	542	592	642
					3	-	-	-	380	430	480	530	580	630	680
MPT	110	114	116	120	1	-	•	-	273	323	373	423	473	523	573
					2	-	-	•	320	370	420	470	520	570	620
					3	-	-	-	396	446	496	546	596	646	696
					4	-	-	•	498	548	598	648	698	748	798
MPTX	110	114	116	120	1	-	-	•	273	323	373	423	473	523	573
					2	-	-	•	318	368	418	468	518	568	618
					3	-	-	-	396	446	496	546	596	646	696
					4	-	-	-	498	548	598	648	698	748	798

STEEL EXTENSION TUBE

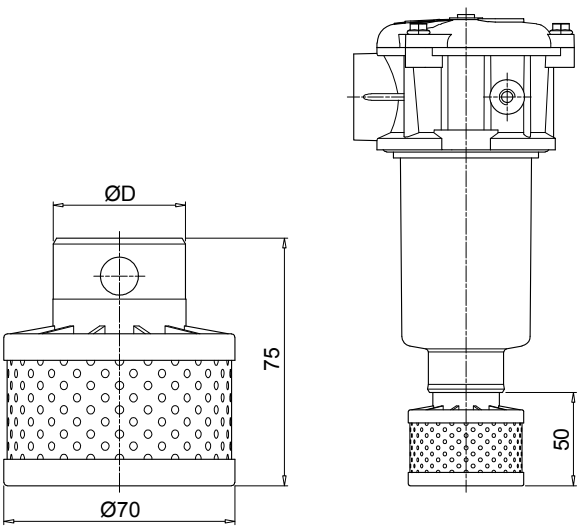
H1 - Total length immersed in the tank

Configuration example: **MPF191** **2** **A** **F1** **A10** **H** **B** **S60**

Series	Size	Material	Length	H1 [mm]
S30			300	300
S35			350	350
S40			400	400
S45			450	450
S50			500	500
S60			600	600
S70			700	700
S80			800	800
S90			900	900

Filter series		Filter size		Filter length	Ø D [mm]		
					52	65	
MPF	400	410	450	451	2	•	-
					1	•	-
					2	-	•
					3	-	•
					1	-	•

DIFFUSER WITH FAST LOCK CONNECTION

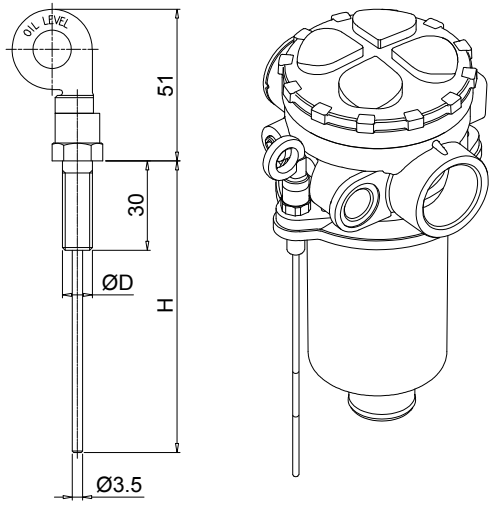


Configuration example: **DFS 32 A 075**

Series		DFS	
Size		ø D [mm]	
32	32		
40	40		
Version		A Standard	
Length		075 Standard	

COMPATIBILITY TABLE							
Filter series	Filter size			Filter Length	DFS32	DFS40	
MPF	100	104	110	1	•	-	
				2	-	-	
				3	-	•	
				4	-	-	
MPFX	100	104	110	1	-	•	
				2	-	•	
				3	-	-	
				4	-	-	
MPT	110	114	116	120	1	•	-
					2	-	-
					3	-	•
					4	-	-
MPTX	110	114	116	120	1	-	•
					2	-	•
					3	-	-
					4	-	-

DIPSTICK



Configuration example: **DPT 20 M10 A P01**

Series		DPT	
Length		H [mm]	
15	134		
20	184		
25	234		
30	284		
35	334		

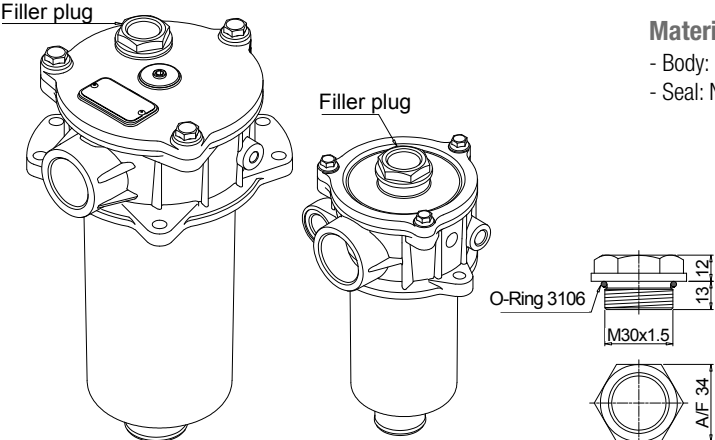
Materials
 - Screw: phosphatized steel
 - Stick: phosphatized steel
 - Handle: Polyamide

Technical data
 Working temperature: from -25 °C to +110 °C

Fastening		Seals	
M8	Fastening with screws ø D = M8	A	NBR
M10	Fastening with screws ø D = M10	V	FPM

Execution	
P01	MP Filtri standard
Pxx	Customized

FILLER PLUG



Materials
 - Body: Polyamide
 - Seal: NBR

Technical data
 Tightening torque: 15 N·m

O-Ring 3106
 M30x1.5
 13 12
 A/F 34

For any further information, please, contact our commercial dept.