

Accessories

POLYAMIDE EXTENSION TUBE

H1 - Total length immersed in the tank

Configuration example: **TE** **40** **A** **250**

Series	Size	Material	Length	H [mm]
TE			200	200
			250	250
			300	300
			350	350
			400	400
			450	450
			500	500

COMPATIBILITY TABLE															
		Tube length													
Filter series	Filter size			Filter length	TE25	TE32	TE40	200	250	300	350	400	450	500	
								H1 [mm]							
MPF - MPFX	30			1	•	-	-	266	316	366	416	466	516	566	
MPF	100	104	110	1	-	•	-	275	325	375	425	475	525	575	
				2	-	-	-	322	372	422	472	522	572	622	
				3	-	-	•	400	450	500	550	600	650	700	
				4	-	-	-	502	552	602	652	702	752	802	
MPFX	100	104	110	1	-	-	•	277	327	377	427	477	527	577	
				2	-	-	•	322	372	422	472	522	572	622	
				3	-	-	•	400	450	500	550	600	650	700	
				4	-	-	-	502	552	602	652	702	752	802	
MPF MPFX	181	182	184	1	-	-	•	410	460	510	560	610	660	710	
				2	-	-	•	623	673	723	773	823	873	923	
MPT MPTX	025		027	1	•	-	-	278	328	378	428	478	528	578	
				2	-	-	-	342	392	442	492	542	592	642	
				3	-	-	-	380	430	480	530	580	630	680	
MPT	110	114	116	120	1	-	•	-	273	323	373	423	473	523	573
					2	-	-	•	320	370	420	470	520	570	620
					3	-	-	-	396	446	496	546	596	646	696
					4	-	-	•	498	548	598	648	698	748	798
MPTX	110	114	116	120	1	-	-	•	273	323	373	423	473	523	573
					2	-	-	•	318	368	418	468	518	568	618
					3	-	-	-	396	446	496	546	596	646	696
					4	-	-	•	498	548	598	648	698	748	798

STEEL EXTENSION TUBE

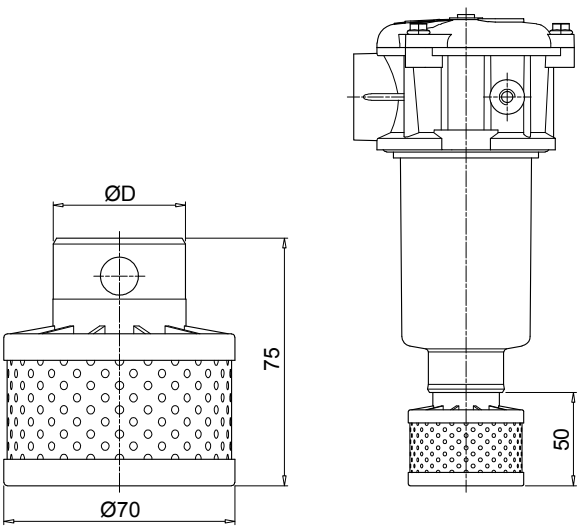
H1

Configuration example: **MPF191** **2** **A** **F1** **A10** **H** **B** **S60**

Length	H1 [mm]
S30	300
S35	350
S40	400
S45	450
S50	500
S60	600
S70	700
S80	800
S90	900

COMPATIBILITY TABLE						
		ø D [mm]				
Filter series	Filter size			Filter length	52	65
MPF	191	192	194	2	•	-
	400	410	450	451	1	•
					2	-
					3	•
	750			1	-	•

DIFFUSER WITH FAST LOCK CONNECTION

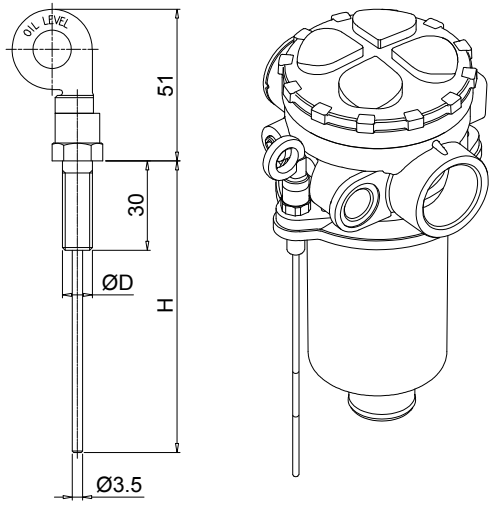


Configuration example: **DFS 32 A 075**

Series		DFS
Size	ø D [mm]	
32	32	
40	40	
Version		A Standard
Length		075 Standard

COMPATIBILITY TABLE							
Filter series	Filter size			Filter Length	DFS32	DFS40	
MPF	100	104	110	1	•	-	
				2	-	-	
				3	-	•	
				4	-	•	
MPFX	100	104	110	1	-	•	
				2	-	•	
				3	-	•	
				4	-	•	
MPT	110	114	116	120	1	•	-
					2	-	-
					3	-	•
					4	-	•
MPTX	110	114	116	120	1	-	•
					2	-	•
					3	-	•
					4	-	•

DIPSTICK



Configuration example: **DPT 20 M10 A P01**

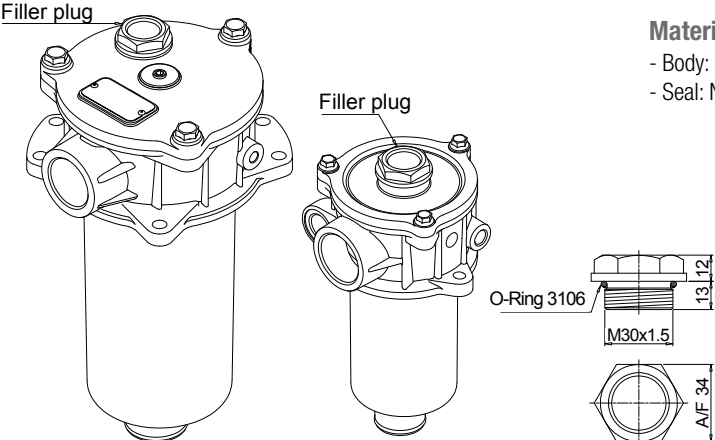
Series		DPT
Length	H [mm]	
15	134	
20	184	
25	234	
30	284	
35	334	

Materials
 - Screw: phosphatized steel
 - Stick: phosphatized steel
 - Handle: Polyamide

Technical data
 Working temperature: from -25 °C to +110 °C

Fastening		M8 Fastening with screws ø D = M8
Seals		A NBR
Execution		P01 MP Filtri standard
		Pxx Customized

FILLER PLUG



Materials
 - Body: Polyamide
 - Seal: NBR

Technical data
 Tightening torque: 15 N·m

O-Ring 3106

For any further information, please, contact our commercial dept.