



# POWER TRANSMISSION

COMPONENTS  
FOR e-PTO SYSTEMS



PASSION  PERFORM



# APPLICATIONS

MP Filtri is involved in the development of next-generation green technologies by integrating e-PTO systems to power the onboard hydraulic circuits of electric and hybrid vehicles.



Loader cranes



Refrigerated vehicles



Cement mixers



Urban distribution vehicles



Other applications



Dumper



Aircraft Tug



Sweeper machines

## SOLUTION AND BENEFITS

### WHY CHOOSE MP FILTRI

#### ADVANTAGES

- Silent operation
- Reliability
- Dedicated business unit
- Flexibility
- Technical expertise
- R&D laboratory

### MP FILTRI SOLUTION FOR e-PTO

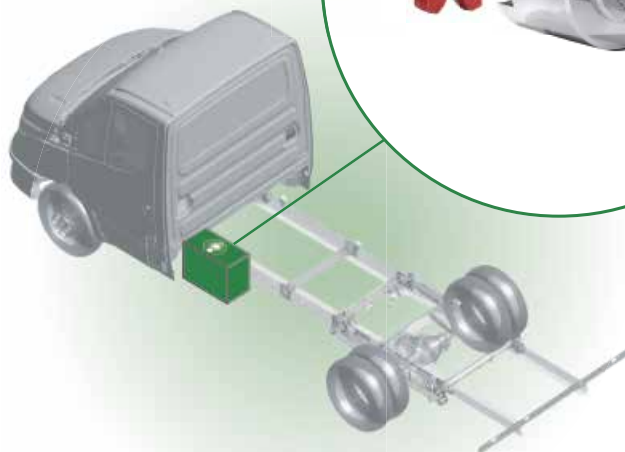
The MP Filtri solution includes

Customisable pump-side half-coupling situated on the mounted pump

Polyurethane elastic insert

**New motor-side steel half-coupling with integrated shaft**

Aluminium bell-housing customisable according to the mounted pump



# PRODUCTS

MP Filtri offers a range of specific bell-housing and couplings for e-PTO, namely electrically powered power take-offs

## COUPLINGS

Available for IEC electric motors gr. 63 to gr. 355. Made from cast aluminium and steel depending on application. Prepared for cylindrical bores according to metric and imperial systems and DIN and SAE slots.



## BELL HOUSINGS

Made from die-cast aluminium. Available for IEC electric motors from gr. 63 to gr. 355 and for mounting pumps with ISO 2/4 holes - SAE flanges 2/4 holes and customised flanges.



Discover  
our product



Scan or click me!

# WORLDWIDE NETWORK

CANADA ♦ CHINA ♦ FRANCE ♦ GERMANY ♦ INDIA ♦ SINGAPORE  
UNITED ARAB EMIRATES ♦ UNITED KINGDOM ♦ USA



PASSION  PERFORM

in   



[mpfiltri.com](http://mpfiltri.com)  
Scan or click me!

MP Filtri reserves the right to make modifications to the models and versions of the described products at any time for both technical and/or commercial reasons. For updated information please visit our website: [www.mpfiltri.com](http://www.mpfiltri.com). The colors and the pictures of the products are purely indicative. Any reproduction, partial or total, of this document is strictly forbidden. All rights are strictly reserved.

MF002000184  
EN - 2025.03