

SME 1 - SMF 1 - SML 1 series

Risers for breathers and filler caps installation



Technical data

Air breathers & Filler plugs

Risers for breathers and filler caps installation

SME/SMF/SML are ranges of risers for installation of the breathers and filler caps in any place on the tank. They make the maintenance operation easy and fast.

Available features:

- SME: vertical riser made of polyamide for polyamide tanks, mainly used in the mobile machines
- SMF: sloping riser made of polyamide for polyamide tanks, mainly used in the mobile machines
- SML: sloping riser made of aluminum for metal tanks, mainly used in the industrial equipment and heavy-duty applications

Materials SME

- Body: Polyamide
- Seals: NBR
- Screws: Galvanized steel

Materials SMF

- Body: Polyamide
- Seals: NBR
- Screws: Galvanized steel

Materials SML

- Body: Aluminium
- Seals: NBR
- Screws: Galvanized steel

Temperature

From -25 °C to +100 °C

Weight

SME	0.250 kg
SMF	0.325 kg
SML	0.380 kg

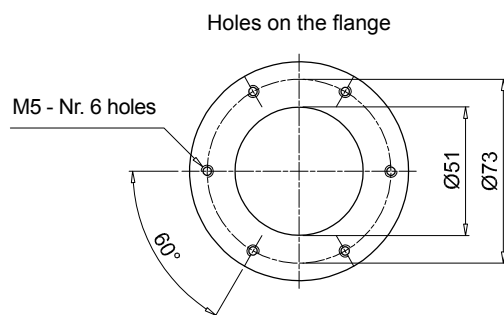
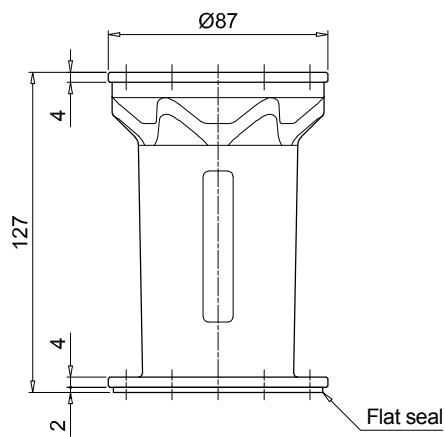
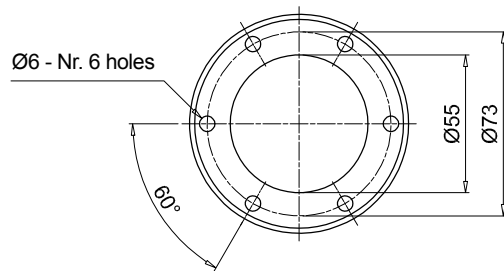


Designation & Ordering code

COMPLETE ADAPTER

Series				Configuration example: SMF1 M A PO1			
SME1	Polyamide vertical riser						
SMF1	Polyamide sloping riser						
SML1	Aluminium sloping riser						
Connections							
M	Metric screws						
U	UNC screws						
Seals							
A	NBR						
Execution		Series					
		SME1	SMF1	SML1			
P01	MP Filtri standard	-	•	•			
P02	Standard without logo	•	-	-			

SME1



SME 1-SMF 1-SML 1

Dimensions

